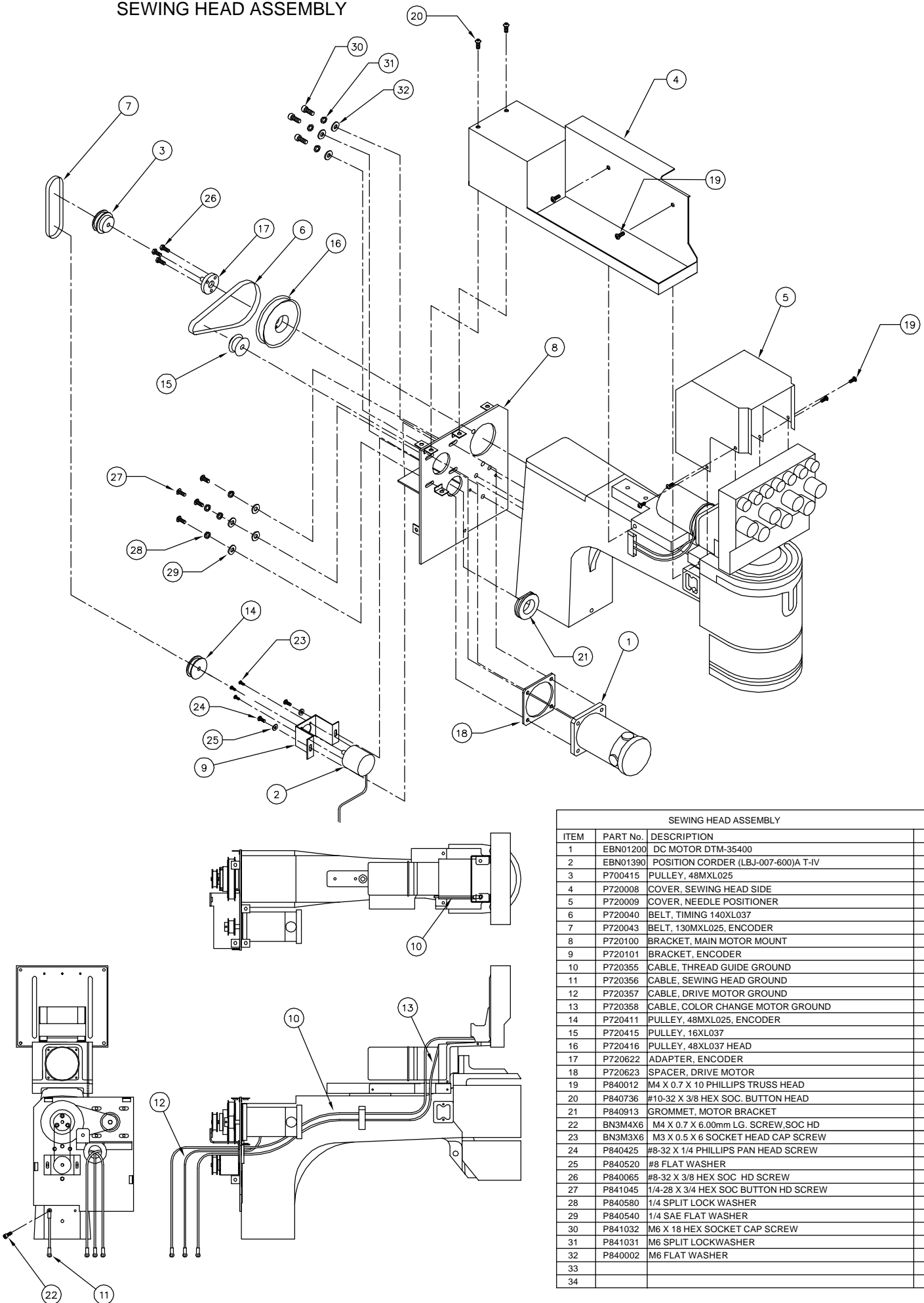


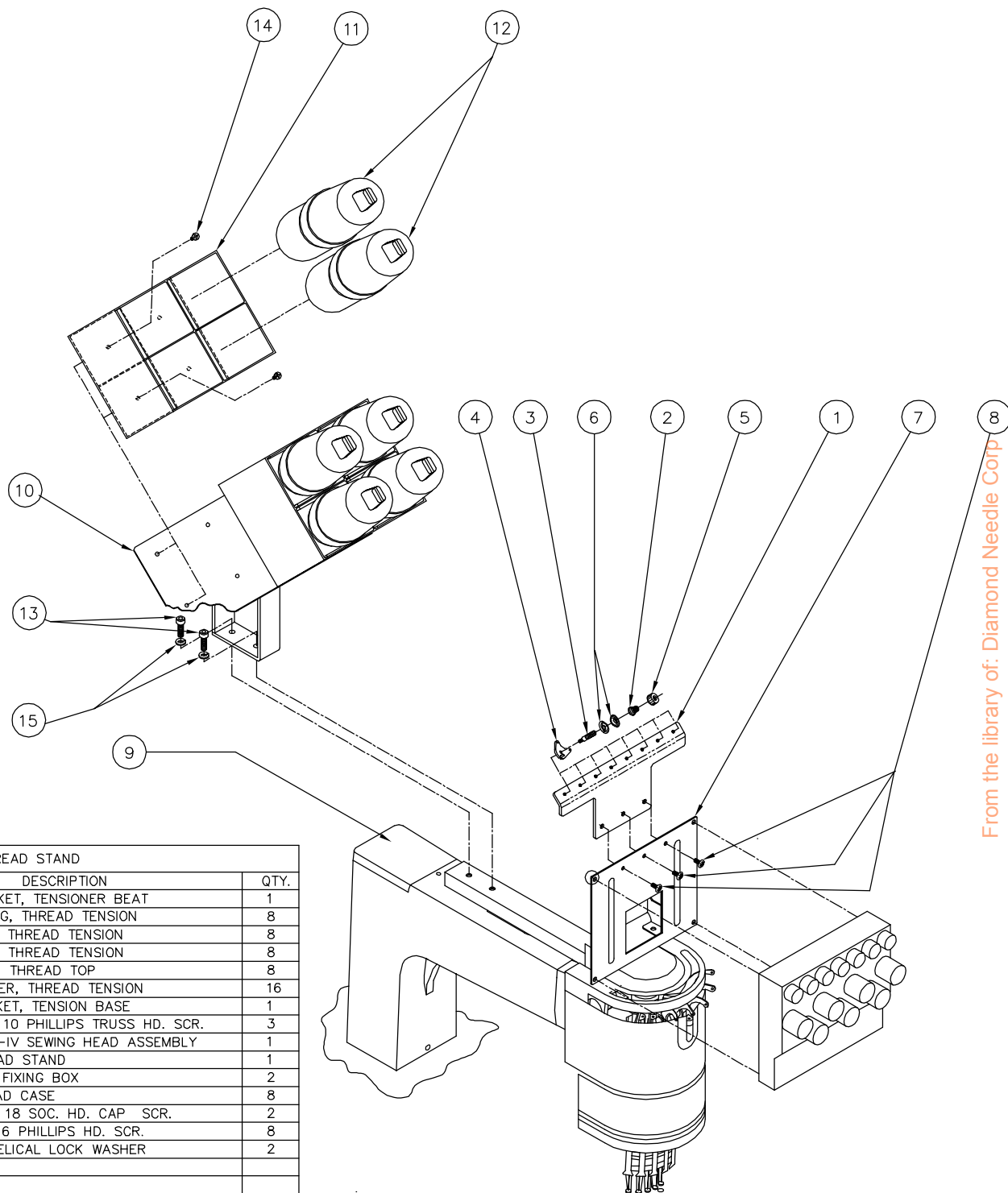
BEAT IV PARTS BOOK SUPPLEMENT

SEWING HEAD ASSEMBLY



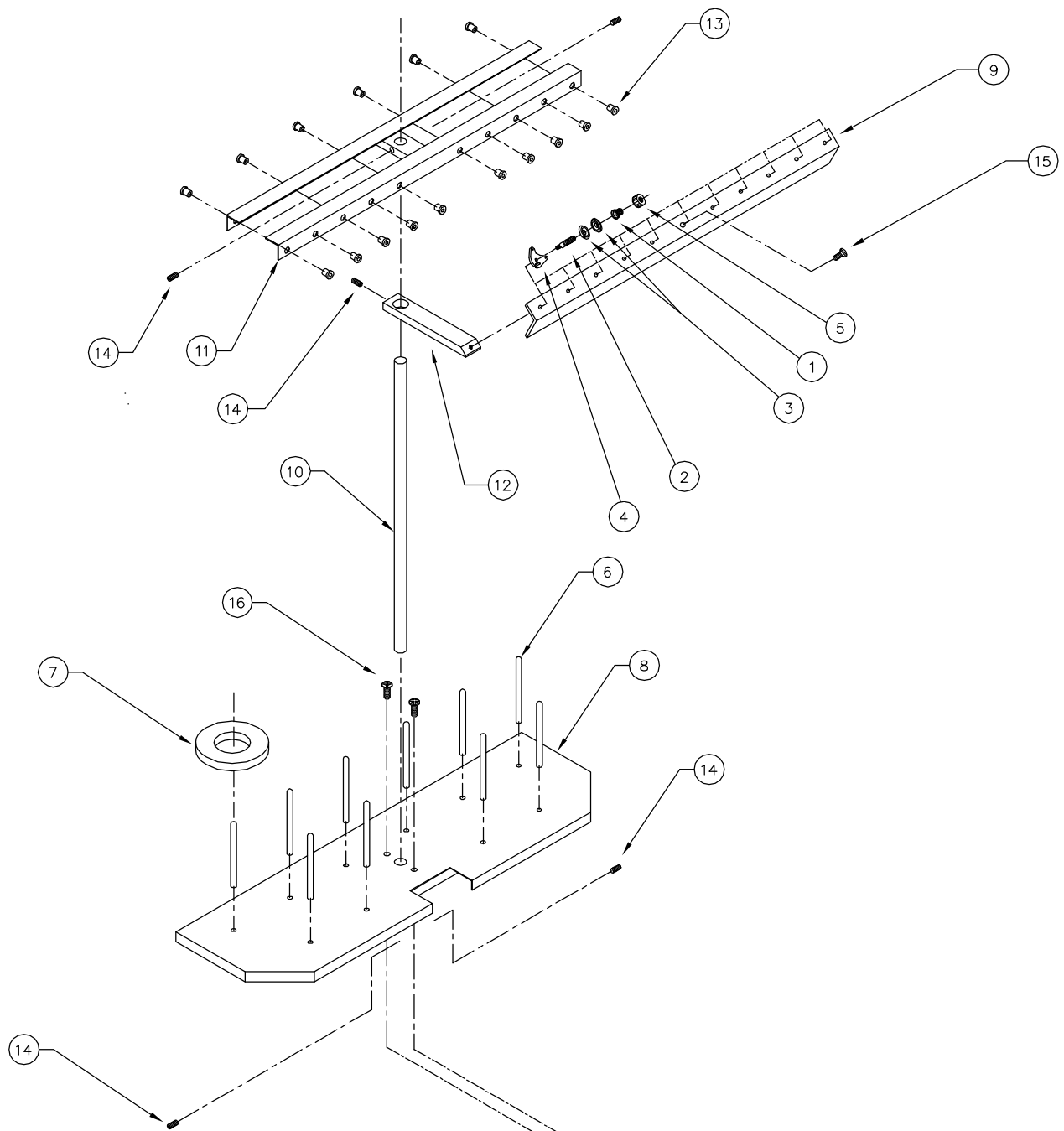
SEWING HEAD ASSEMBLY			
ITEM	PART No.	DESCRIPTION	QTY.
1	EBN01200	DC MOTOR DTM-35400	1
2	EBN01390	POSITION CORDER (LBJ-007-600)A T-IV	1
3	P700415	PULLEY, 48MXL025	1
4	P720008	COVER, SEWING HEAD SIDE	1
5	P720009	COVER, NEEDLE POSITIONER	1
6	P720040	BELT, TIMING 140XL037	1
7	P720043	BELT, 130MXL025, ENCODER	1
8	P720100	BRACKET, MAIN MOTOR MOUNT	1
9	P720101	BRACKET, ENCODER	1
10	P720355	CABLE, THREAD GUIDE GROUND	1
11	P720356	CABLE, SEWING HEAD GROUND	1
12	P720357	CABLE, DRIVE MOTOR GROUND	1
13	P720358	CABLE, COLOR CHANGE MOTOR GROUND	1
14	P720411	PULLEY, 48MXL025, ENCODER	1
15	P720415	PULLEY, 16XL037	1
16	P720416	PULLEY, 48XL037 HEAD	1
17	P720622	ADAPTER, ENCODER	1
18	P720623	SPACER, DRIVE MOTOR	1
19	P840012	M4 X 0.7 X 10 PHILLIPS TRUSS HEAD	6
20	P840736	#10-32 X 3/8 HEX SOC. BUTTON HEAD	2
21	P840913	GROMMET, MOTOR BRACKET	1
22	BN3M4X6	M4 X 0.7 X 6.00mm LG. SCREW, SOC HD	1
23	BN3M3X6	M3 X 0.5 X 6 SOCKET HEAD CAP SCREW	3
24	P840425	#8-32 X 1/4 PHILLIPS PAN HEAD SCREW	2
25	P840520	#8 FLAT WASHER	2
26	P840065	#8-32 X 3/8 HEX SOC. HD SCREW	3
27	P841045	1/4-28 X 3/4 HEX SOC. BUTTON HD SCREW	4
28	P840580	1/4 SPLIT LOCK WASHER	4
29	P840540	1/4 SAE FLAT WASHER	4
30	P841032	M6 X 18 HEX SOCKET CAP SCREW	3
31	P841031	M6 SPLIT LOCKWASHER	3
32	P840002	M6 FLAT WASHER	3
33			
34			

ZP721240 JAPAN THREAD STAND

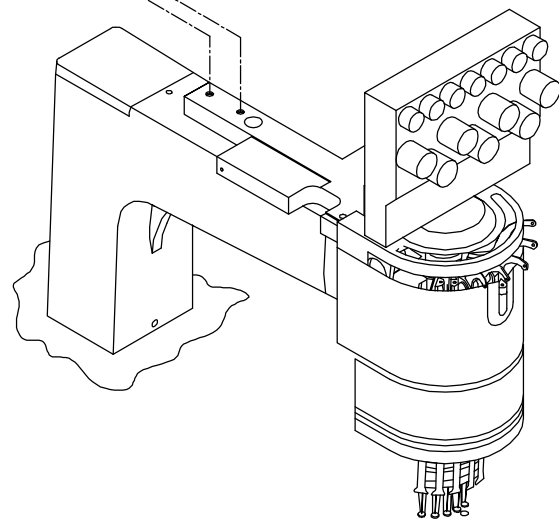


JAPAN THREAD STAND			
ITEM	PART No.	DESCRIPTION	QTY.
1	P720109	BRACKET, TENSIONER BEAT	1
2	A100094	SPRING, THREAD TENSION	8
3	A100095	STUD, THREAD TENSION	8
4	A100097	BASE, THREAD TENSION	8
5	A100098	KNOB, THREAD TOP	8
6	A100096	WASHER, THREAD TENSION	16
7	P720110	BRACKET, TENSION BASE	1
8	P840012	M4 X 10 PHILLIPS TRUSS HD. SCR.	3
9	ZP721000	BEAT-IV SEWING HEAD ASSEMBLY	1
10	P720700	THREAD STAND	1
11	HP711370	CASE FIXING BOX	2
12	HP711360	THREAD CASE	8
13	P840009	M6 X 18 SOC. HD. CAP. SCR.	2
14	P840011	M4 X 6 PHILLIPS HD. SCR.	8
15	P840014	M8 HELICAL LOCK WASHER	2
16			
17			

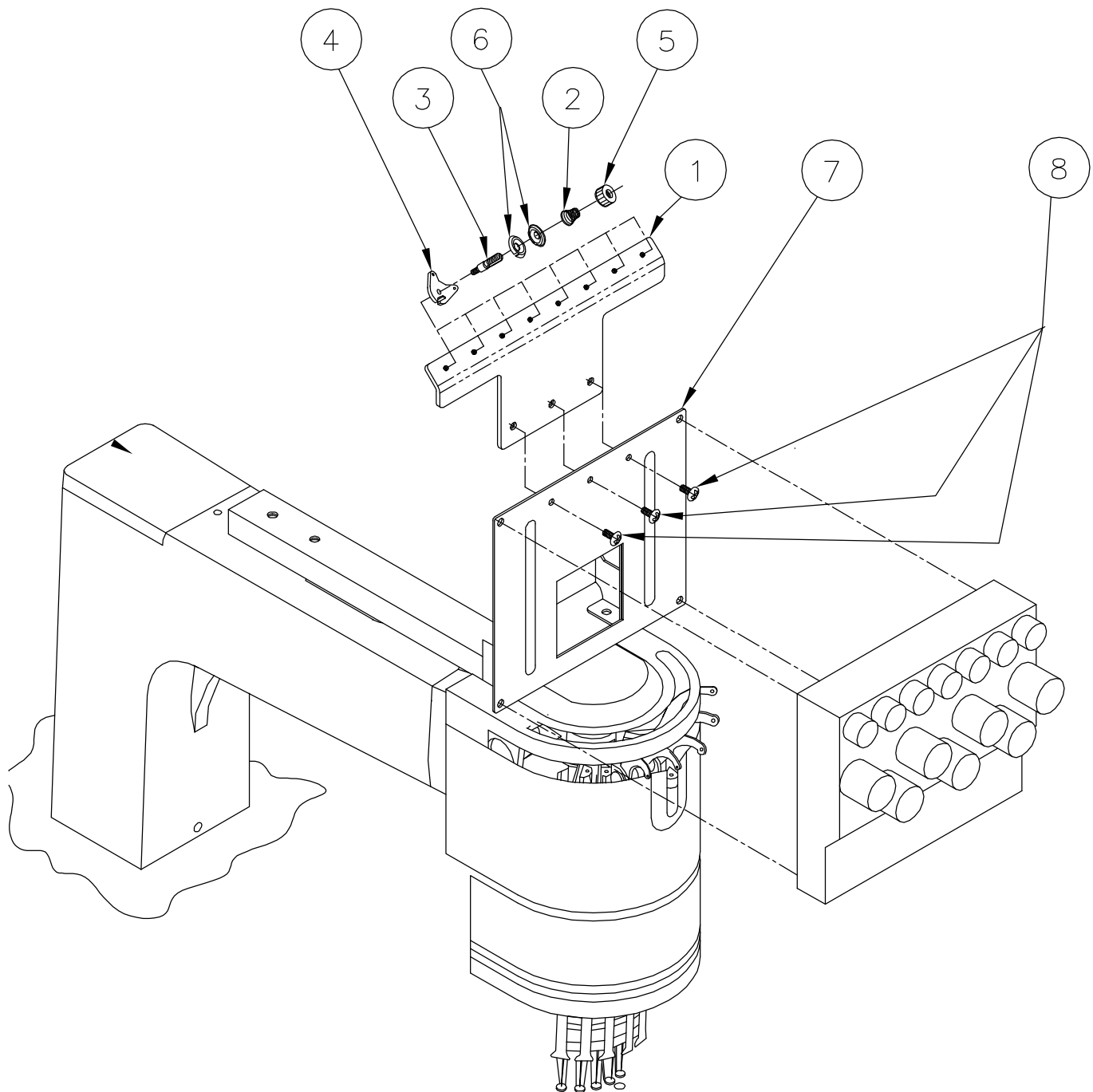
ZP721241 U.S. THREAD STAND



U.S. THREAD STAND			
ITEM	PART No.	DESCRIPTION	QTY.
1	A100094	SPRING, THREAD TENSION	10
2	A100095	STUD, THREAD TENSION	10
3	A100096	WASHER, THREAD TENSION	20
4	A100097	BASE, THREAD TENSION	10
5	A100098	KNOB, THREAD TOP	10
6	A200097	PIN, ARM SPOOL (PLASTIC)	10
7	KF710390	SPOOL HOLDER FELT	10
8	P720030	THREAD HOLDER BASE	1
9	P720031	THREAD HOLDER, TENSION BAR	1
10	P720032	THREAD HOLDER, SUPPORT SHAFT	1
11	P720033	THREAD HOLDER, EYELET	1
12	P720034	THREAD HOLDER, TENSION BRACKET	1
13	P820705	EYELET, CERAMIC 8F	16
14	P841023	M5x0.8x6 HEX SOC. SET SCREW	5
15	P841024	M5x0.8x8 PHIL.FLAT HD. SCREW	1
16	P841030	M6x30 HEX SOC CAP SCREW	2
17			
18			



ZP721245 PRE-TENSIONER BRACKET ASSY

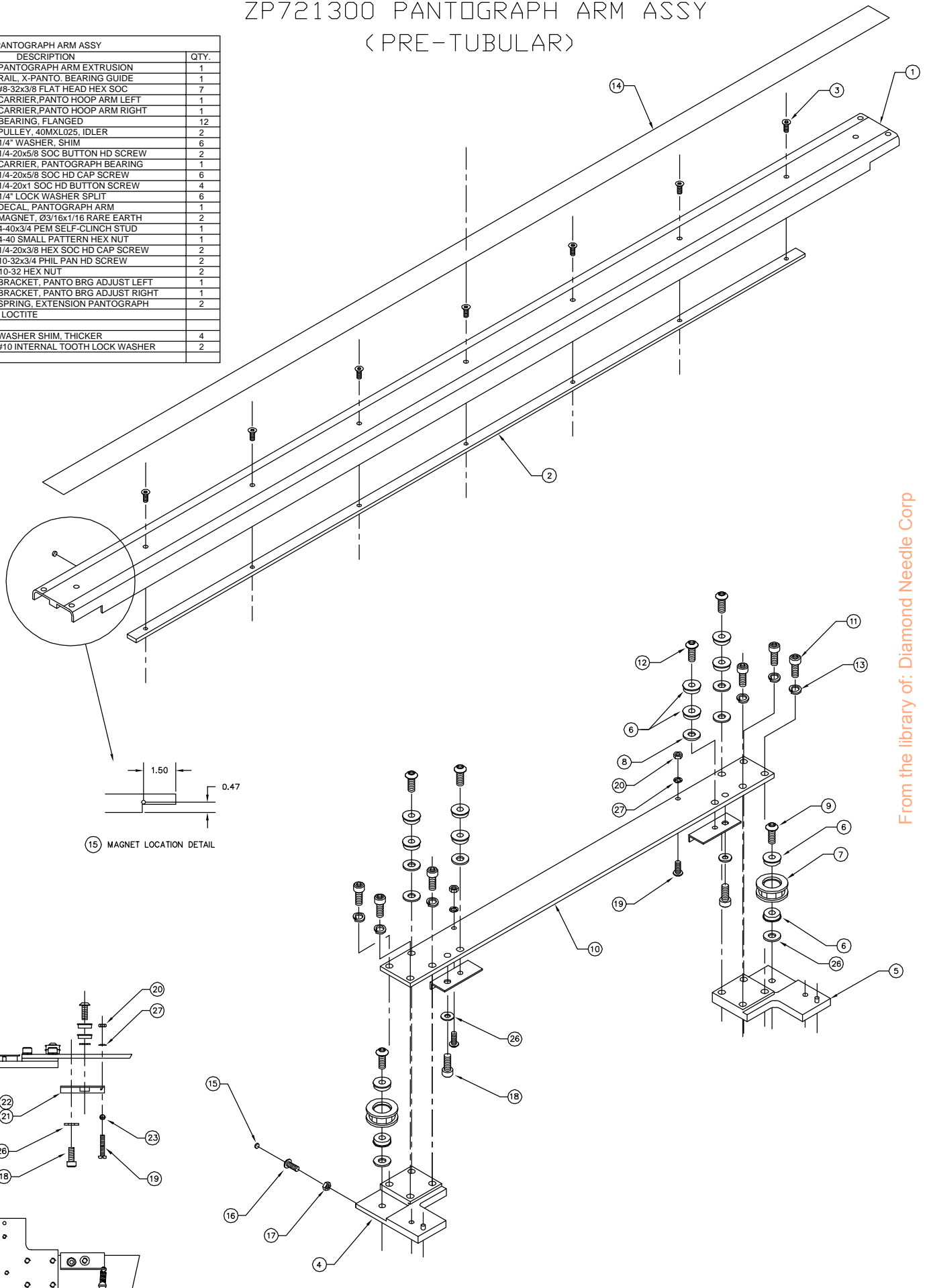


From the library of: Diamond Needle Corp

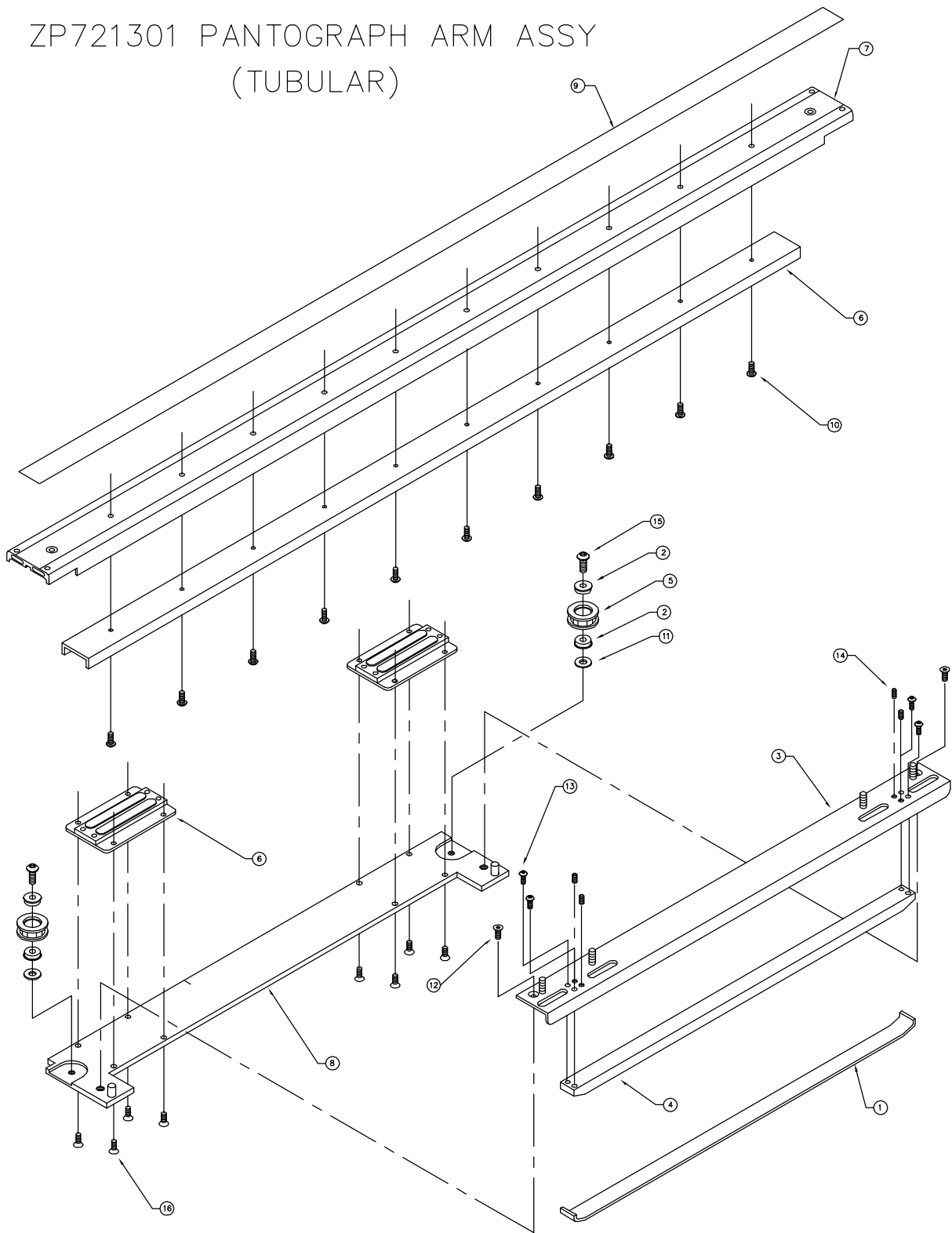
BEAT-IV PRODUCTION MACHINE			
ITEM	PART No.	DESCRIPTION	QTY.
1	P720109	BRACKET, TENSIONER BEAT	1
2	A100094	SPRING, THREAD TENSION	8
3	A100095	STUD, THREAD TENSION	8
4	A100097	BASE, THREAD TENSION	8
5	A100098	KNOB, THREAD TOP	8
6	A100096	WASHER, THREAD TENSION	16
7	P720110	BRACKET, TENSION BASE	1
8	P840012	M4 X 10 PHILLIPS TRUSS HD. SCR.	3

ZP721300 PANTOGRAPH ARM ASSY (PRE-TUBULAR)

ITEM	PART NO.	DESCRIPTION	QTY.
1	P700628	PANTOGRAPH ARM EXTRUSION	1
2	P700626	RAIL, X-PANTO, BEARING GUIDE	1
3	P840112	#8-32x3/8 FLAT HEAD HEX SOC	7
4	P700624	CARRIER, PANTO HOOP ARM LEFT	1
5	P700625	CARRIER, PANTO HOOP ARM RIGHT	1
6	P700462	BEARING, FLANGED	12
7	P720410	PULLEY, 40MXL025, IDLER	2
8	P840556	1/4" WASHER, SHIM	6
9	P840136	1/4-20x5/8 SOC BUTTON HD SCREW	2
10	P700623	CARRIER, PANTOGRAPH BEARING	1
11	P840051	1/4-20x5/8 SOC HD CAP SCREW	6
12	P840069	1/4-20x1 SOC HD BUTTON SCREW	4
13	P840580	1/4" LOCK WASHER SPLIT	6
14	P720901	DECAL, PANTOGRAPH ARM	1
15	P413018	MAGNET, Ø3/16x1/16 RARE EARTH	2
16	P840040	4-40x3/4 PEM SELF-CLINCH STUD	1
17	P840716	4-40 SMALL PATTERN HEX NUT	1
18	P840049	1/4-20x3/8 HEX SOC HD CAP SCREW	2
19	P840126	10-32x3/4 PHIL PAN HD SCREW	2
20	P840740	10-32 HEX NUT	2
21	P700119	BRACKET, PANTO BRG ADJUST LEFT	1
22	P700120	BRACKET, PANTO BRG ADJUST RIGHT	1
23	P700232	SPRING, EXTENSION PANTOGRAPH	2
24	N/A	LOCTITE	
25			
26	P840544	WASHER SHIM, THICKER	4
27	P840506	#10 INTERNAL TOOTH LOCK WASHER	2
28			



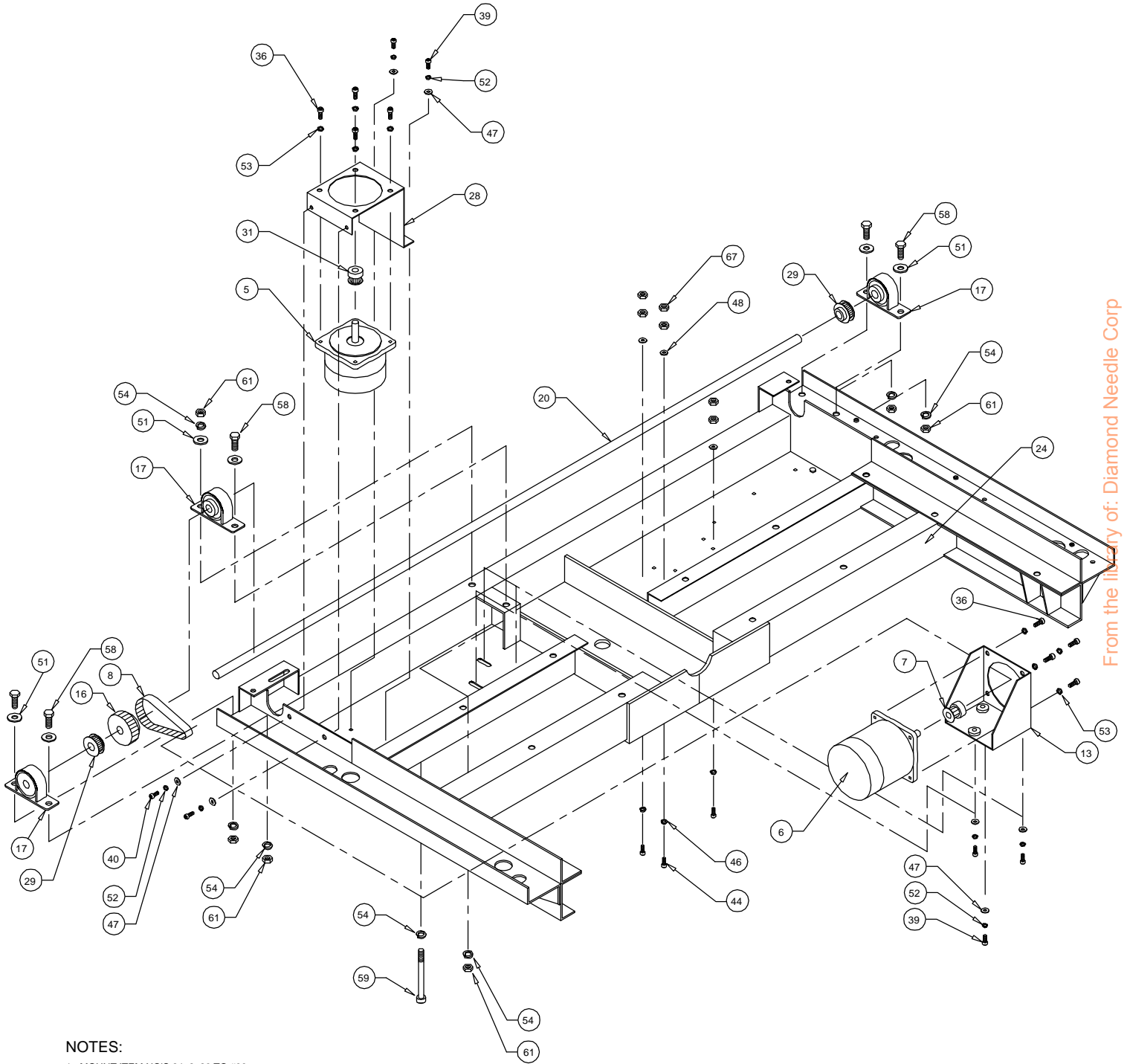
ZP721301 PANTOGRAPH ARM ASSY (TUBULAR)



PANTOGRAPH ARM ASSY			
ITEM	PART NO.	DESCRIPTION	QTY.
1	9P720005	FELT, TUBULAR PANTOGRAPH	3
2	P700462	BEARING, FLANGE ENGLISH	4
3	P720117	BRACKET, PANTO. TUBULAR MOUNT	1
4	P720118	BRACKET, TUBULAR SUPPORT	1
5	P720410	PULLEY, TIMING, 40M2-L06M, IDLE	2
6	P720430	BEARING, SLIDE PACK	1
7	P720525	ARM, TUBULAR PANTOGRAPH	1
8	P720529	CARRIER, TUBULAR PANTOGRAPH	1
9	P720901	DECAL, PANTOGRAPH ARM	1
10	P840118	#8-32x5/16 HEX SOC BUTTON SCREW	10
11	P840556	WASHER SHIM	2
12	P841000	#10-32x1/2 HEX SOC FLAT HD SCREW	2
13	P841001	#10-32x1/2 SOC BUTTON HD SCREW	4
14	P841002	#10-32x1/4 HEX SOC SET SCREW	4
15	P841010	1/4-20x9/16 SOC BUT HD CAP SCREW	2
16	P841020	M5x10mm HEX SOC FLAT HD SCREW	8
17			
18			

ZP721500 BEAT IV BASE ASSEMBLY COMPLETE (PRE-TUBULAR)

(SHEET 1 OF 3)

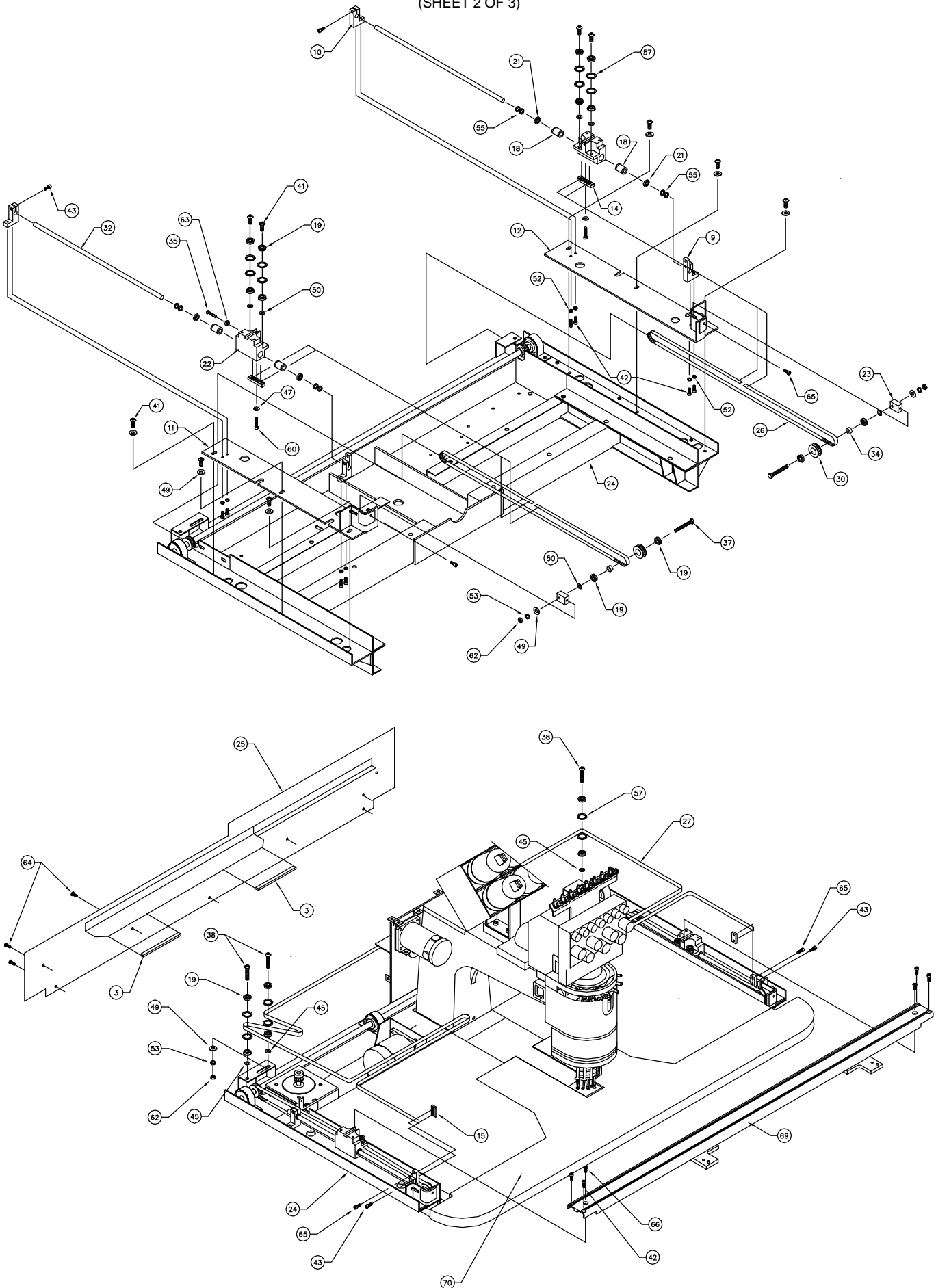


NOTES:

- 1> MOUNT ITEM NO'S 24, 2, 28 TO #33 DRIVE SHAFT BEFORE MOUNTING TO #3 BASE.
- 2> MOUNT ITEM NO'S #31 TO #11 & #12 BEFORE MOUNTING TO #3 BASE.

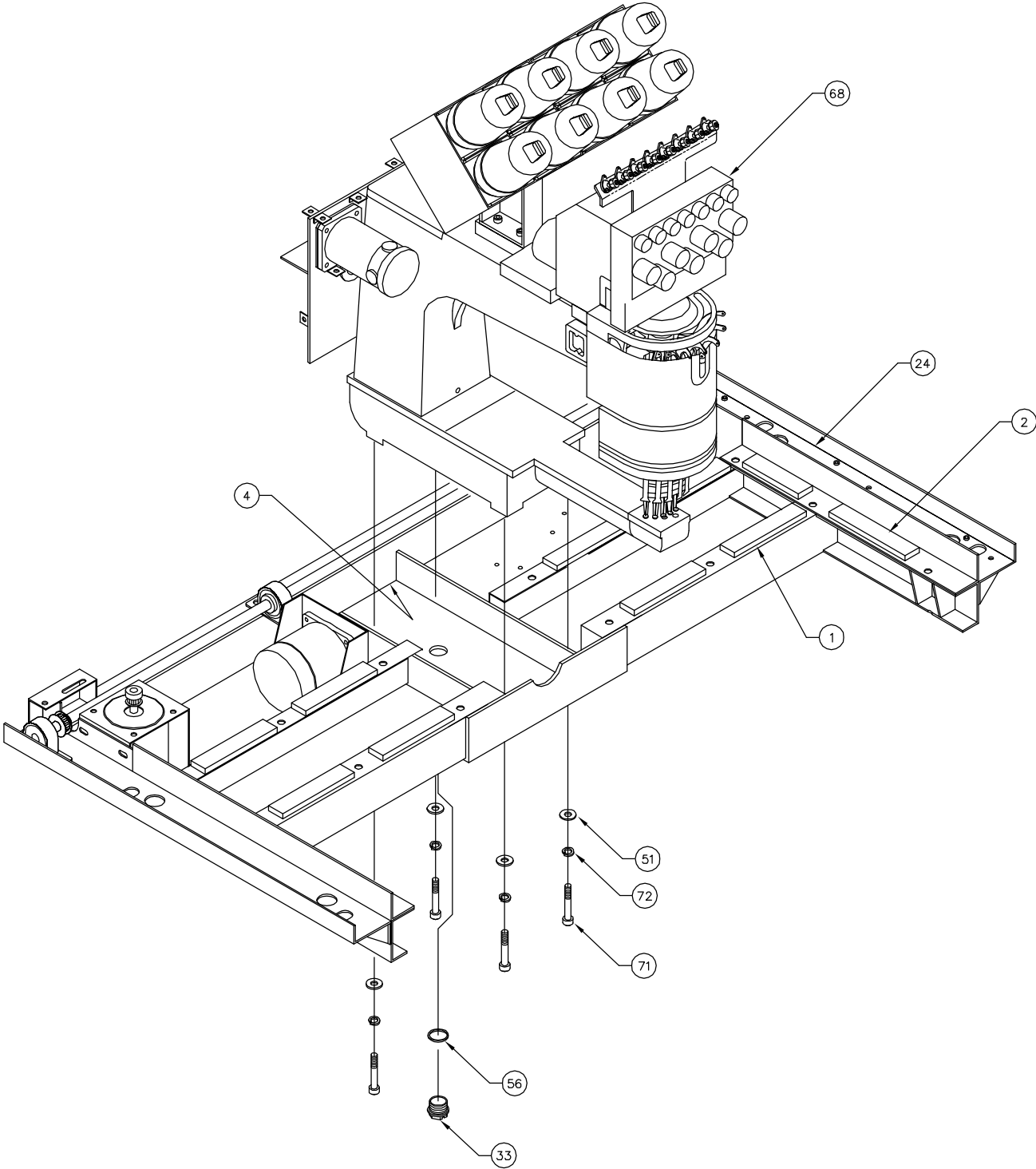
ZP721500 BEAT IV BASE ASSEMBLY COMPLETE (PRE-TUBULAR)

(SHEET 2 OF 3)



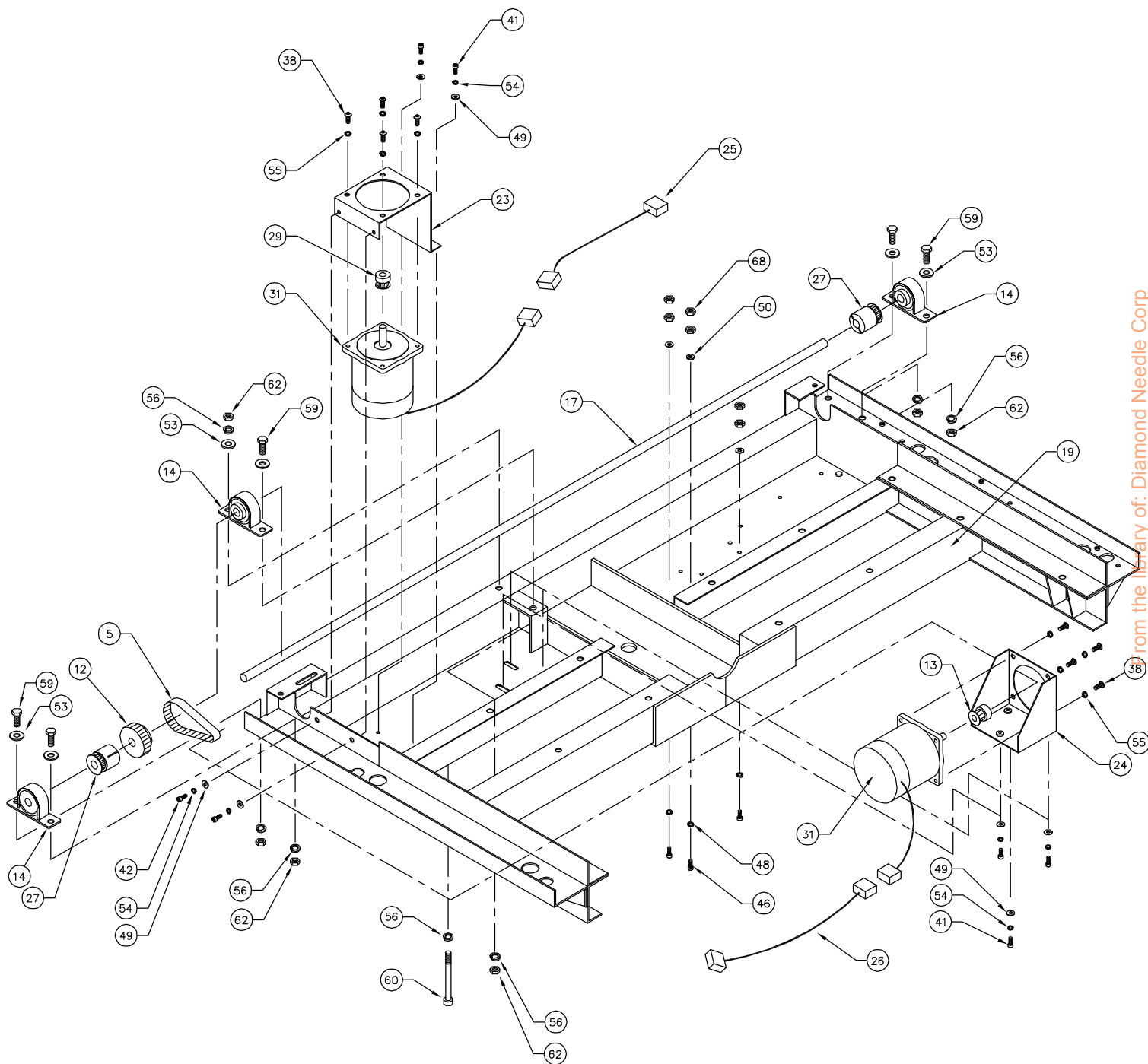
ZP721500 BEAT IV BASE ASSEMBLY COMPLETE (PRE-TUBULAR)

(SHEET 3 OF 3)

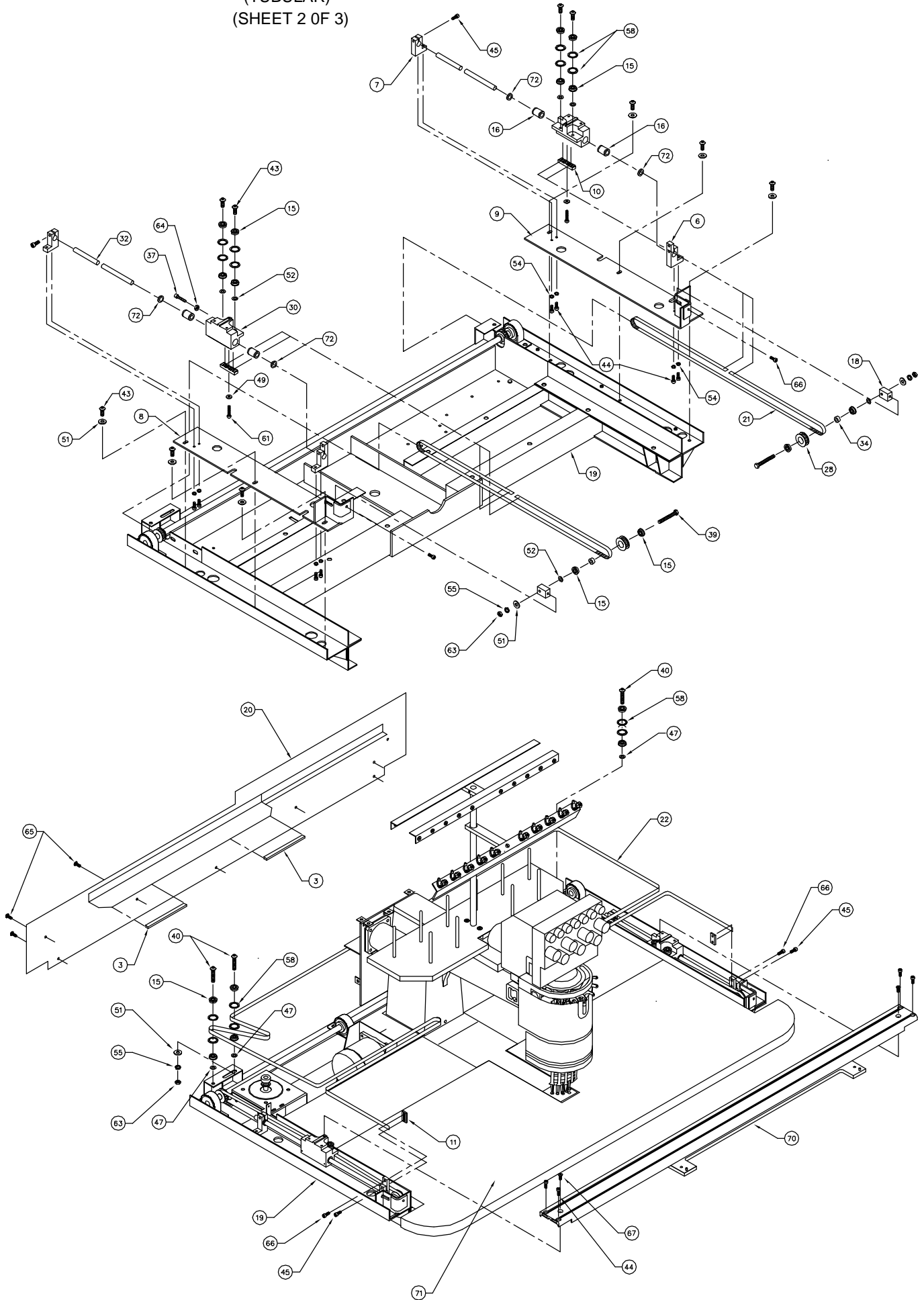


ZP721500 BEAT IV BASE ASSEMBLY COMPLETE (PRE-TUBULAR)			
ITEM	PART No.	DESCRIPTION	QTY.
1	9P520001	1" x 1/2" ADHESIVE NEOPRENE	6ft
2	9P520002	1" x 5/16" ADHESIVE NEOPRENE	4ft
3	9P530200	GROMMET STRIP	6in
4	9P870002	R.T.V., OIL SEALANT	1
5	EBN01210	PULSE MOTOR 103-809-1640	1
6	EBN01220	PULSE MOTOR 103-815-1140	1
7	P520405	PULLEY, 15XL037	1
8	P520431	BELT, TIMING LARGE 100XL037	1
9	P700100	BRACKET, SHAFT SUPPORT, FRONT	2
10	P700101	BRACKET, SHAFT SUPPORT, REAR	2
11	P700105	BRACKET,LEFT SIDE MOUNT ANGLE	1
12	P700106	BRACKET,RIGHT SIDE MOUNT ANGLE	1
13	P700110	BRACKET, Y-STEPPER MOTOR	1
14	P700240	CLAMP, TIMING BELT Y-PANTO	2
15	P700241	CLAMP, TIMING BELT	2
16	P700412	PULLEY, 30XL037	1
17	P700460	BEARING, PILLOW BLOCK	3
18	P700461	BEARING, LINEAR 3/8"	4
19	P700462	BEARING, FLANGED	18
20	P700621	SHAFT, DRIVE Y-PANTOGRAPH	1
21	P700622	SEAL, LINEAR BEARING	4
22	P700627	CARRIER, Y-PANTOGRAPH	2
23	P700635	BLOCK, PULLEY ADJUSTMENT	2
24	P720001	BASE, WELDMENT & FAB. BEAT IV	1
25	P720002	COVER, BACK PANEL	1
26	P720041	BELT, TIMING 1125-5M-9	2
27	P720042	BELT, TIMING, S2M-L06	1
28	P720106	BRACKET, X-STEPPER MOTOR	1
29	P720412	PULLEY, 16M5-L09M	2
30	P720413	PULLEY, 16M5-L09M, IDLER	2
31	P720414	PULLEY, 40M2-L06M	1
32	P720620	SHAFT, PRECISION	2
33	P820703	PLUG	1
34	P820704	1/4" I.D. x 1/4" SPACER	2
35	P840044	#4-40x1/2 PAN HD. MACHINE SCR.	1
36	P840052	1/4-20 x 1/2" HEX SOC CAP SCREW	8
37	P840068	1/4-20 x 1-3/4" FULL THD HEX BOLT	2
38	P840069	1/4-20 x 1" HEX SOC BUTTON HD.	3
39	P840073	#10-32 x 3/8" HEX. SOC. CAP SCR.	10
40	P840132	#10-32 x 3/8" INDENTED HEX HD SCR.	2
41	P840136	1/4-20 x 5/8" HEX. SOC. BUTTON HD.	10
42	P840434	#10-32 x 1/2" SOC HD CAP SCREW	12
43	P840435	#10-32 x 1" SOC HD CAP SCREW	4
44	P840444	#10-32 x 1" PHIL PAN HD BRASS	3
45	P840501	WASHER, SPRING TENSION	3
46	P840506	#10 INTERNAL TOOTH LOCK WASHER	3
47	P840530	#10 FLAT WASHER	9
48	P840535	#10 BRASS WASHER	3
49	P840540	1/4" SAE FLAT WASHER - PLATED	9
50	P840556	1/4" WASHER, SHIM	6
51	P840571	8mm FLAT WASHER	10
52	P840572	#10 LOCK WASHER SPLIT	15
53	P840580	1/4" LOCK WASHER SPLIT	11
54	P840582	5/16" LOCK WASHER SPLIT	7
55	P840586	3/8" O-RING	8
56	P840587	7/8" O-RING	1
57	P840590	WASHER, BEARING FLANGE	14
58	P840601	5/16-18 x 3/4" HEX HD. BOLT	5
59	P840608	5/16-18 x 3 1/2" HEX SOC. CAP SCREW	1
60	P840621	#10-32 x 3/4" SOC HD CAP SCREW	2
61	P840707	5/16-18 HEX NUT	6
62	P840710	1/4-20 HEX NUT	3
63	P840716	#4-40 SMALL PATTERN HEX. NUT	1
64	P840736	#10-32 x 3/8" HEX SOC BUTTON HD.	18
65	P840737	#10-32 x 5/8" SOC HD CAP SCREW	4
66	P840738	#10-32 x 5/8" SOC FLAT HD SCREW	2
67	P840742	#10-32 BRASS HEX NUT	6
68	ZP721000	SEWING HEAD ASSEMBLY	1
69	ZP721300	ARM, PANTO FABRICATION	1
70	ZP721700	TABLE TOP ASS'Y	1
71	P840013	M8 x 50 HEX SOCKET CAP SCREW	4
72	P840014	M8 SPLIT LOCK WASHER	4

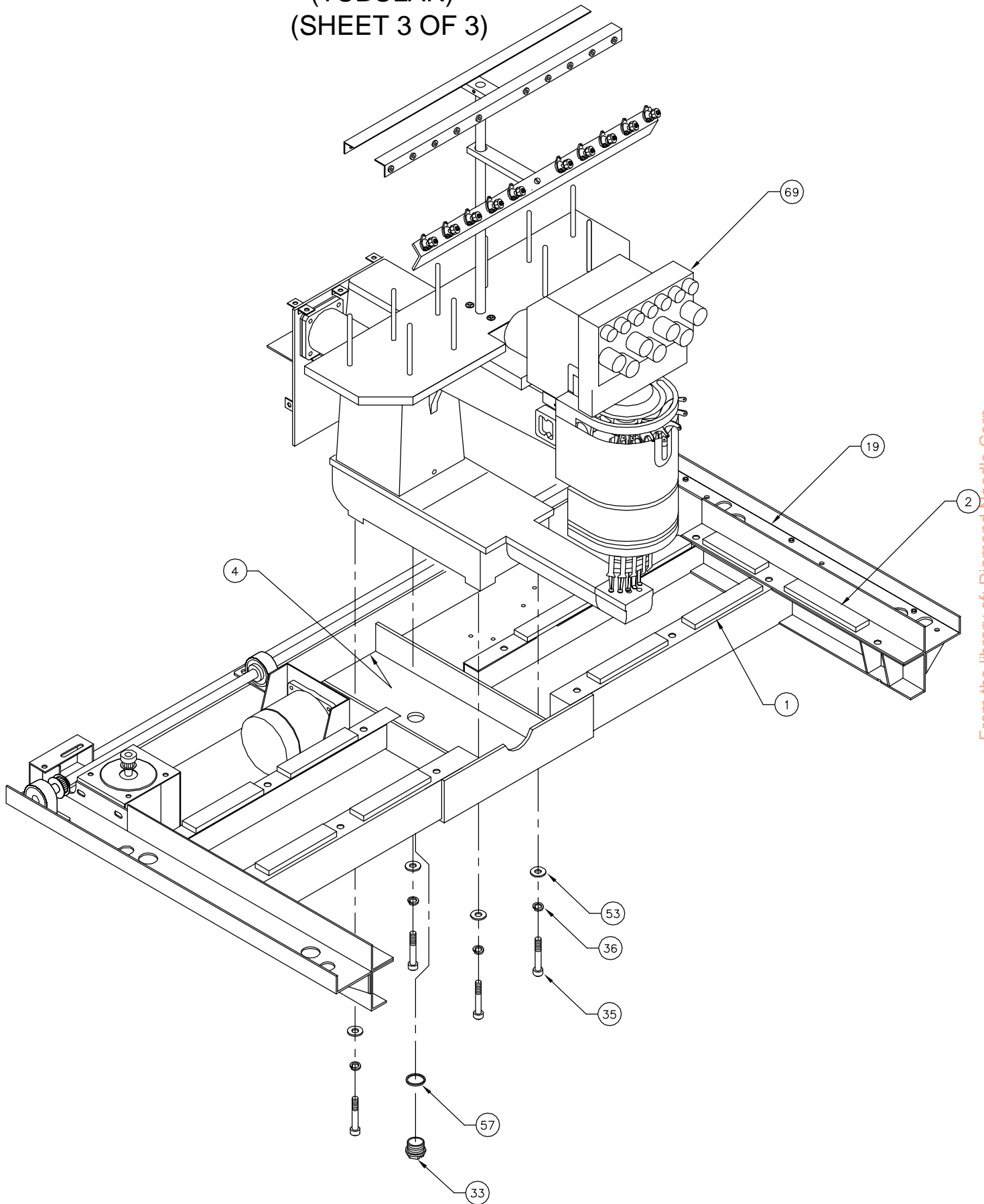
ZP721501 BEAT IV BASE ASSEMBLY COMPLETE
(TUBULAR)
(SHEET 1 OF 3)



ZP721501 BEAT IV BASE ASSEMBLY COMPLETE
(TUBULAR)
(SHEET 2 OF 3)

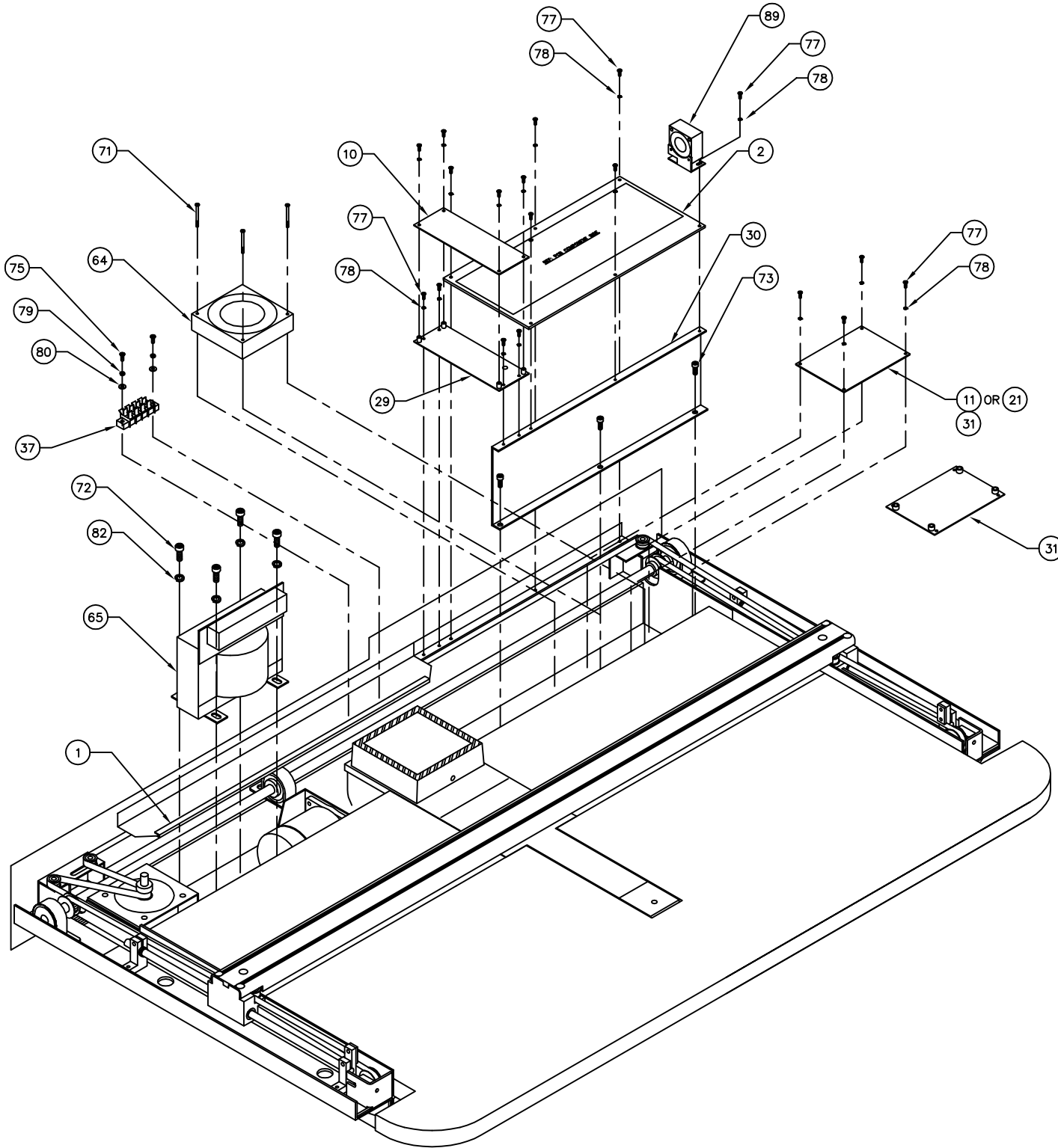


ZP721501 BEAT IV BASE ASSEMBLY COMPLETE
(TUBULAR)
(SHEET 3 OF 3)

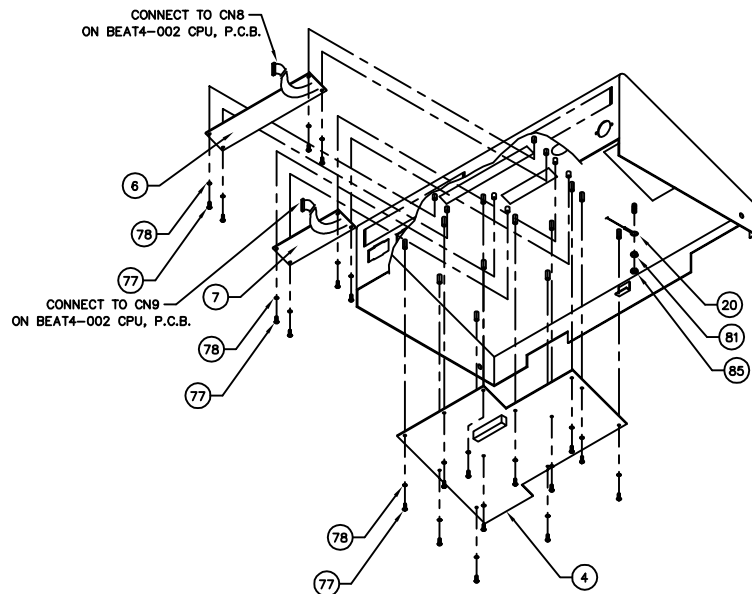
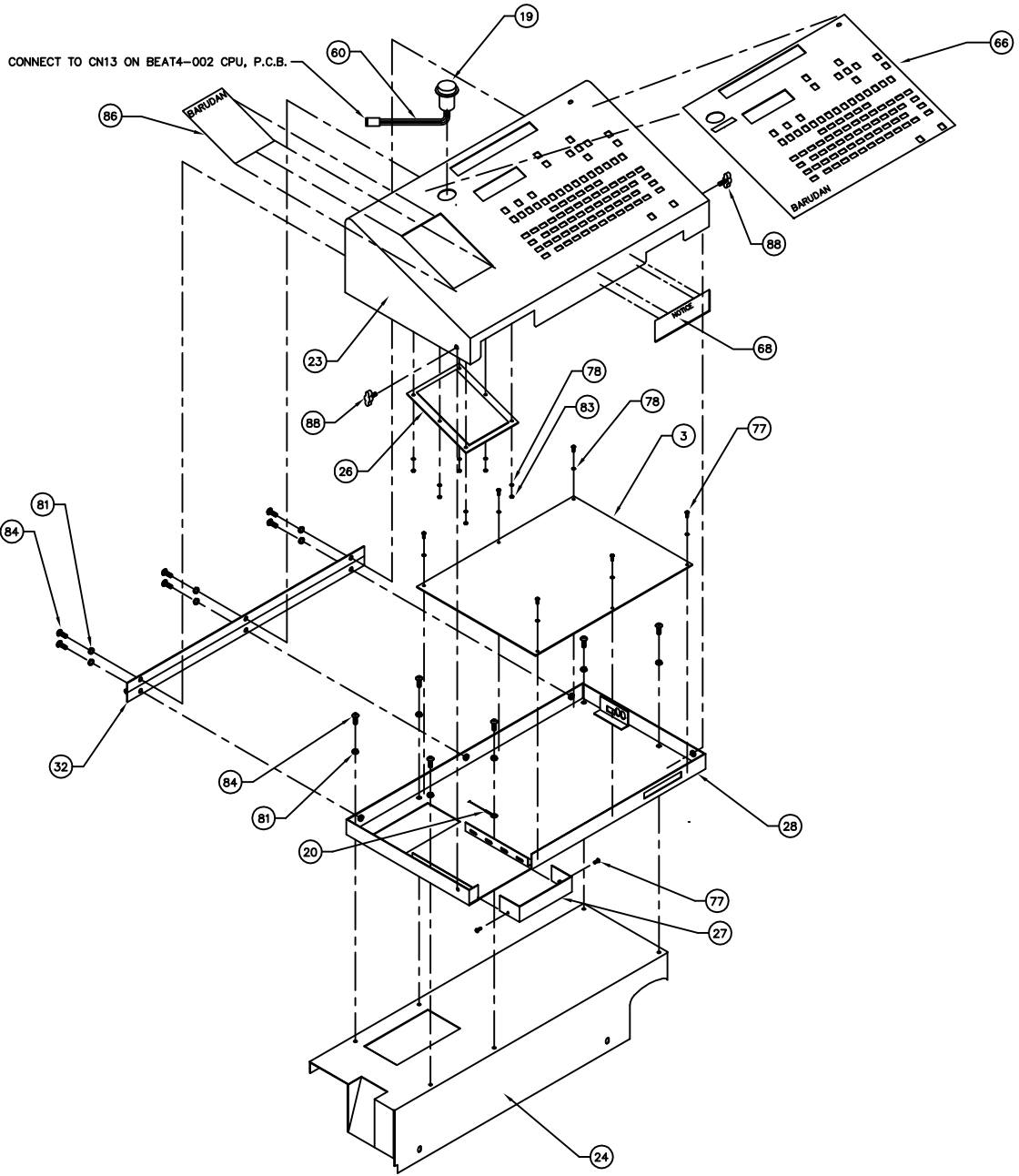


ZP721501 BEAT IV BASE ASSEMBLY COMPLETE (TUBULAR)			
ITEM	PART No.	DESCRIPTION	QTY.
1	9P520001	1" X 1/2" ADHESIVE NEOPRENE	6
2	9P520002	1" X 5/16" ADHESIVE NEOPRENE	4
3	9P530200	GROMMET STRIP	6
4	9P870002	R.T.V. OIL SEALANT	1
5	P520431	BELT, TIMING 100XL037	1
6	P700100	BRACKET, SHAFT SUPP, FRONT	2
7	P700101	BRACKET, SHAFT SUPP, REAR	2
8	P700105	BRACKET, LEFT SIDE MOUNT ANGLE	1
9	P700106	BRACKET, RIGHT SIDE MOUNT ANGLE	1
10	P700240	CLAMP, TIMING BELT Y-PANTO	2
11	P700241	CLAMP, TIMING BELT	2
12	P700412	PULLEY, TIMING (30XL037)	1
13	P700416	PULLEY, TIMING (15XL037)	1
14	P700460	BEARING, PILLOW BLOCK	3
15	P700462	BEARING, FLANGE ENGLISH	18
16	P700468	BUSHING, LINEAR 3/8"ID. CERAMIC	4
17	P700621	SHAFT, DRIVE Y-PANTO	1
18	P700635	BLOCK, PULLEY ADJUSTMENT	2
19	P720001	BASE, WELDMENT & FAB., BEAT	1
20	P720002	COVER, BACK PANEL	1
21	P720041	BELT, TIMING, 1125-5M-L09	2
22	P720042	BELT, TIMING, S2M-L06	1
23	P720106	BRACKET, X-STEPPER MOTOR	1
24	P720112	BRACKET, BEAT-IV Y-STEPPER MOTOR	1
25	P720371	CABLE, X-STEPPER EXTENSION	1
26	P720372	CABLE, Y-STEPPER EXTENSION	1
27	P720412	PULLEY, TIMING, 16M5-L09M	2
28	P720413	PULLEY, TIMING, 16M5-L09M, IDLE	2
29	P720418	PULLEY, TIMING, 40M2-L06M, 1/2 BORE	1
30	P720530	CARRIER, Y-PANTO. TUBULAR	2
31	P720560	STEPPER MOTOR, PANTO	2
32	P720620	SHAFT, PRECISION Y-PANTO	2
33	P820703	PLUG, PLASTIC	1
34	P820704	1/4" I.D. X .025 SPACER	2
35	P840013	M8 X 50 HEX SOCKET CAP SCREW	4
36	P840014	M8 SPLIT LOCK WASHER	4
37	P840044	#4-40x1/2 BLK SOC HD CAP SCREW	1
38	P840052	1/4-20x1/2 SOC HEAD SCREW	8
39	P840068	1/4-20X1 3/4 HEX HEAD SCREW-FULL THREAD	2
40	P840069	1/4-20X1.00 HEX SOCK BUTTON HD	3
41	P840073	#10-32X3/8 SOC.HD.SCREW.	5
42	P840132	#10-32 x 3/8 INDENTED HEX HEAD SCREW	2
43	P840136	1/4-20 X 5/8 BUTTON HEAD SCREW	10
44	P840434	#10-32 X 1/2 SOCKET HD CAP SCREW	12
45	P840435	#10-32 X 1 SOCKET HEAD CAP SCREW	4
46	P840444	#10-32 X 1.00 PHIL PAN HD. BRASS	3
47	P840501	1/4 SPRING TENSION WASHER	3
48	P840506	#10 INTERNAL TOOTH LOCK WASHER	3
49	P840530	#10 FLAT WASHER	9
50	P840535	#10 FLAT WASHER (BRASS)	3
51	P840540	1/4"SAE FLAT WASHER-PLATED	9
52	P840556	1/4" WASHER, SHIM	6
53	P840571	8mm FLAT WASHER	10
54	P840572	#10 LOCK WASHER SPLIT	15
55	P840580	1/4" LOCK WASHER	11
56	P840582	5/16 SPLIT LOCK WASHER	7
57	P840587	7/8" O-RING	1
58	P840590	WASHER, BEARING FLANGE	14
59	P840601	5/16-18 X 3/4" HEX HEAD BOLT	5
60	P840608	5/16-18 X 3 1/2 HEX SOC.CAP SCREW	1
61	P840621	#10-32 X 3/4" SOCKET HEAD CAP SCREW	2
62	P840707	5/16-18 HEX NUT	6
63	P840710	1/4-20 HEX NUT	3
64	P840716	#4-40 SMALL PATTERN HEX NUT	1
65	P840736	#10-32 X 3/8 HEX SOC. BUTTON HD.	8
66	P840737	#10-32 X 5/8 HEX SOCKET	4
67	P840738	#10-32X5/8 HEX SOC FLAT HEAD SCREW	2
68	P840742	#10-32 HEX NUT BRASS	6
69	ZP721001	BEAT IV SEW HEAD.ASSEMBLY	1
70	ZP721301	BEAT IV PANTO ASSEMBLY	1
71	ZP721701	BEAT IV TABLE TOP ASSEMBLY	1
72	P700622	SEAL,LINEAR BEARING	4
73			
74			

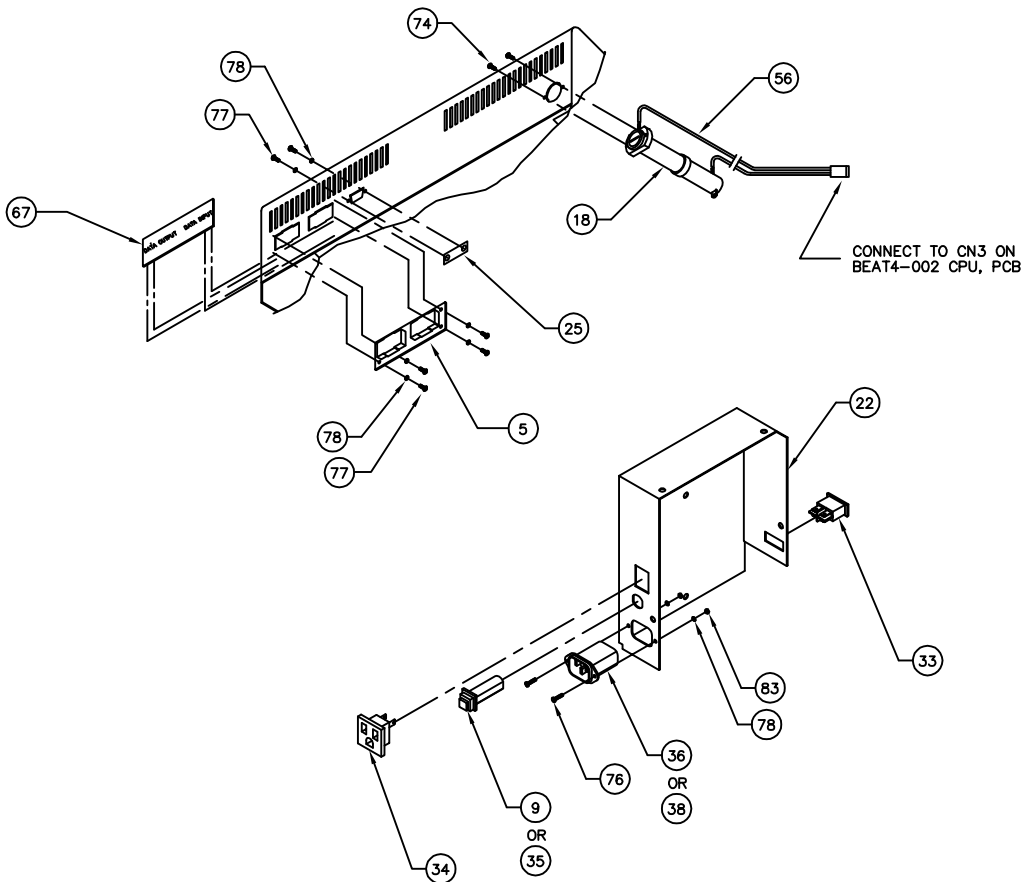
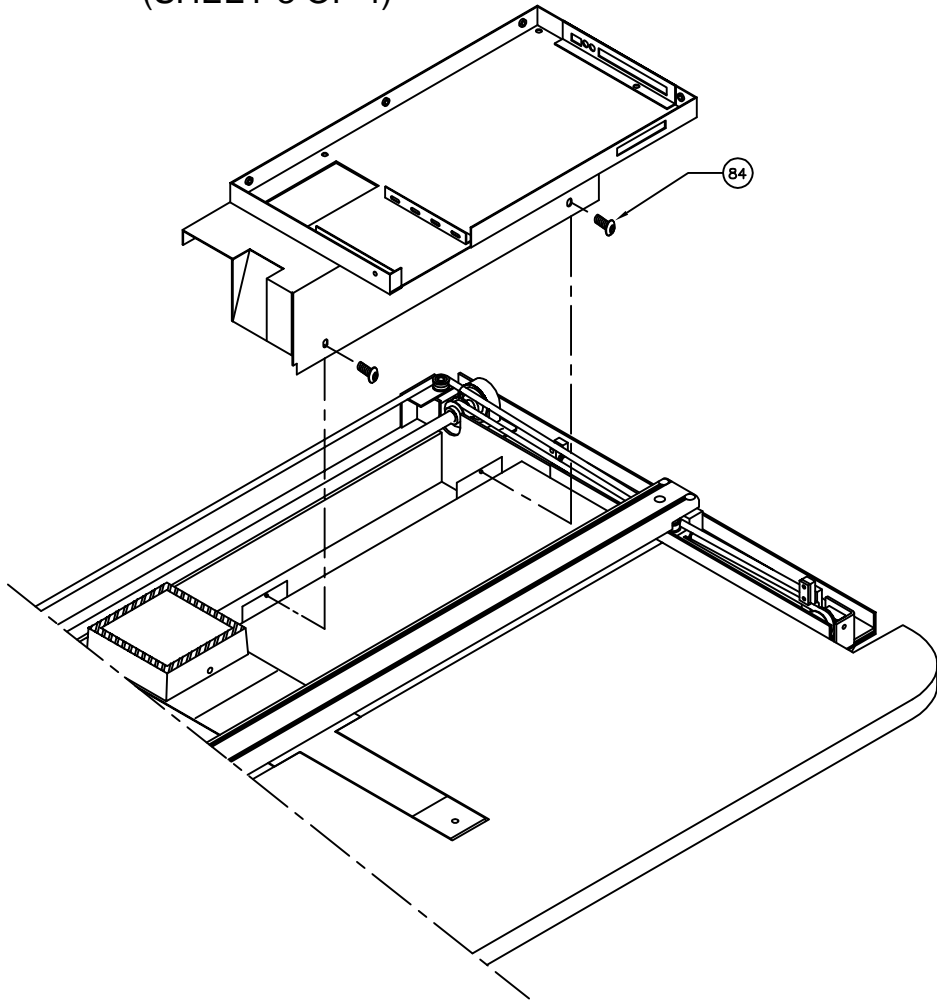
ZP721600 ELECTRONICS ASSY (SHEET 1 OF 4)



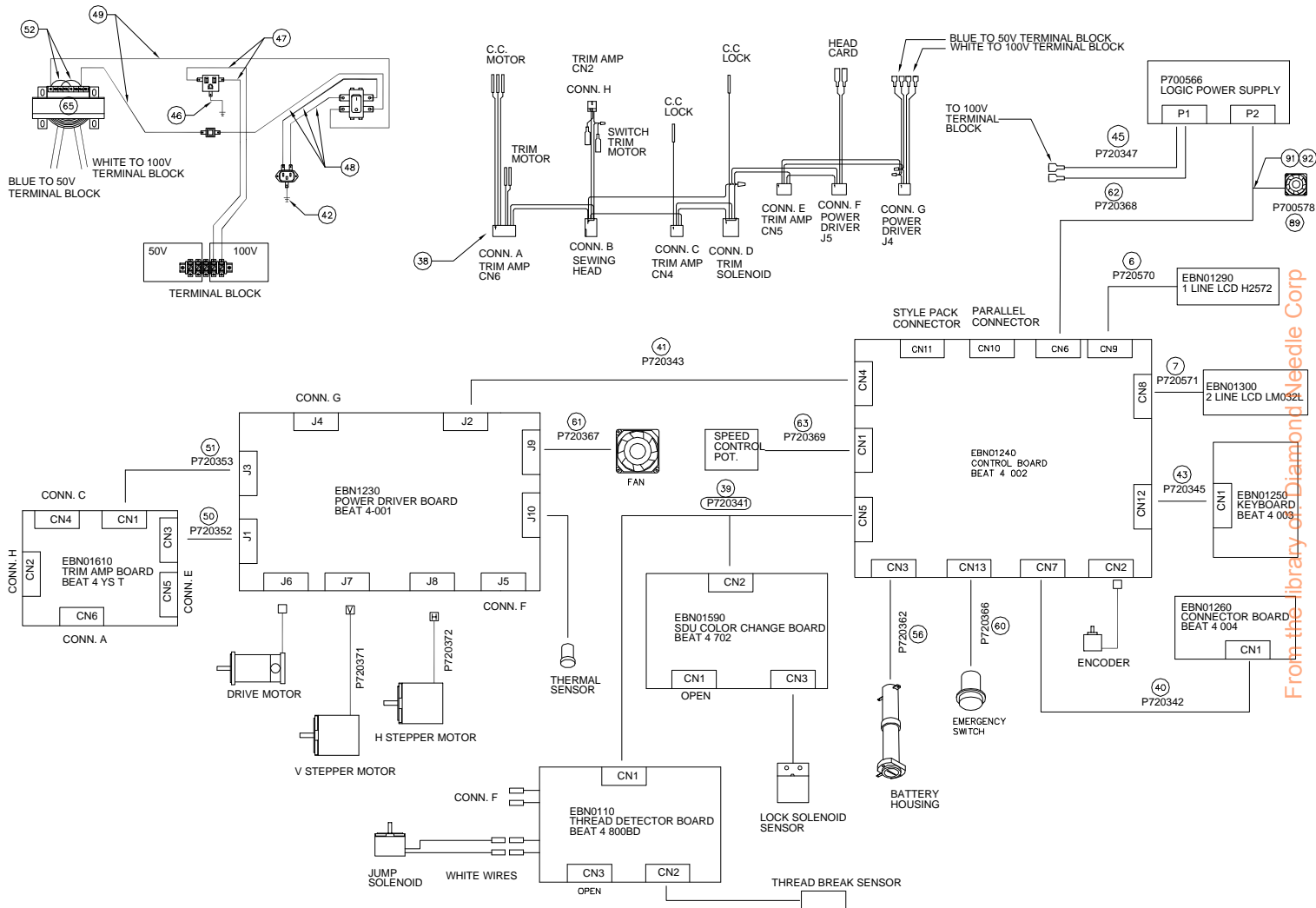
ZP721600 ELECTRONICS ASSY (SHEET 2 OF 4)



ZP721600 ELECTRONICS ASSY
(SHEET 3 OF 4)



CABLE DIAGRAM FOR BEAT IV (SHEET 4 OF 4)



From the library of Diamond Needle Corp

ZP721600 ELECTRONICS ASSY

ITEM	PART NO.	DESCRIPTION	QTY.	ITEM	PART NO.	DESCRIPTION	QTY.
1	9P530200	GROMMET STRIP	1	46	P720348	CABLE, SOCKET GROUND	1
2	EBN01230	POWER DRIVER BOARD BEAT-IV-001	1	47	P720349	CABLE, SOCKET TERM. BLOCK	2
3	EBN01240	CONTROL BOARD BEAT-IV-002	1	48	P720350	CABLE, SWITCH	3
4	EBN01250	KEYBOARD BEAT-IV-003	1	49	P720351	CABLE, SWITCH TO TRANSFORMER	2
5	EBN01260	CONNECTOR BOARD BEAT-IV-004	1	50	P720352	CABLE, THREAD CUT DATA	1
6	EBN01290	BEAT-IV 1 LINE LCD H2572	1	51	P720353	CABLE, THREAD CUT DATA 1	1
7	EBN01300	BEAT-IV 2 LINE LCD LM032L	1	52	P720354	CABLE, TRANSFORMER	2
8	EBN01340	POWER INTOLET ZUG2203-11	1	53	P720359	CABLE, COLOR CHANGE PCB GROUND	1
9	EBN01360	NOFUSE BREAKER NRF100 5A	1	54	P720360	CABLE, POWER PCB GROUND	1
10	EBN01610	THREAD CUTTING PCB BEAT-IV-YS-T	1	55	P720361	CABLE, POWER SUPPLY EXTENSION	1
11	FA911141	BEAT-IV POWER SOURCE BOX	1	56	P720362	CABLE, BATTERY BEAT IV	1
12	P312027	5 CABLE TIE	6	57	P720363	CABLE, LCD EXTENSION	2
13	P312028	3 CABLE TIES	28	58	P720364	CABLE, KEYBOARD, CPU DISCONN. GROUND	2
14	P320023	ADHESIVE MOUNTS-SQUARE	7	59	P720365	CABLE, KEYBOARD, CPU GROUND	2
15	P320024	ADHESIVE MOUNTS-RECTANGLE	1	60	P720366	CABLE, EMERGENCY OFF SWITCH	1
16	P520085	FLAT WIRE CLIP,ADHESIVE BACKED	11	61	P720367	CABLE, FAN	1
17	P670911	#021-0500-STICK ON CABLE CLAMP	4	62	P720368	CABLE, POWER SUPPLY, CPU	1
18	P700025	BATTERY HOUSING	1	63	P720369	CABLE, SPEED CONTROL EXTENSION	1
19	P700300	SWITCH, STOP	1	64	P720561	FAN, BEAT IV	1
20	P700357	CABLE, RIGHT TOP COVER TETHER	1	65	P720562	TRANSFORMER, BEAT IV	1
21	P700566	LOGIC POWER SUPPLY	1	66	P720900	DECAL, KEYBOARD CONSOLE	1
22	P720003	COVER, CENTER, PULLEY	1	67	P720904	DECAL, DATA INPUT LEGEND	1
23	P720004	COVER, KEYBOARD	1	68	P720905	DECAL, STYLE PACK	1
24	P720007	COVER, RIGHT	1	69	P820060	CLAMP, CABLE DEKLIP 3/8	2
25	P720010	COVER, CRT DATA IN	1	70	P820069	3/4SQ.ADHESIVE CABLE TIE.	2
26	P720011	COVER, DISK DRIVE CONTROLS	1	71	P840037	#4-40x1 1/4 PHILLIPS PAN HEAD SCREW	3
27	P720012	COVER, DISK DRIVE HOLE	1	72	P840052	1/4-20x1/2 SOCKET HEAD SCREW	4
28	P720102	BRACKET, CPU MOUNT	1	73	P840073	#10-32x3/8 SOCKET HEAD SCREW	3
29	P720105	BRACKET, THREAD CUT PCB	1	74	P840179	#4-40x3/8 PHIL. PAN HD SELF TAP SCREW	2
30	P720107	BRACKET, POWER PCB SUPPORT	1	75	P840199	#6-32x5/8 PHILLIPS PAN HEAD SCREW	2
31	P720111	BRACKET, POWER SUPPLY	1	76	P840390	#4-40x3/8 PHILLIPS FLAT HEAD M/S ZINC	2
32	P720220	HINGE, COVER, KEYBOARD	1	77	P840404	#4-40x3/8 PHILLIPS PAN HEAD SCREW	48
33	P720300	SWITCH, DPST, POWER	1	78	P840502	#4 EXTERNAL TOOTH WASHER	54
34	P720301	RECEPTACLE, SOCKET	1	79	P840509	#6 SPLIT LOCK WASHER	2
35	P720302	CIRCUIT BREAKER	1	80	P840510	#6 FLAT WASHER	2
36	P720303	CONNECTOR, POWER-IN FILTER	1	81	P840572	#10 LOCK WASHER SPLIT	13
37	P720304	TERMINAL BLOCK	1	82	P840580	1/4 LOCK WASHER	4
38	P720340	CABLE, BEAT HARNESS	1	83	P840715	#4-40 HEX NUT	8
39	P720341	CABLE, COLOR CHANGE DATA	1	84	P840736	#10-32x3/8 HEX SOCKET BUTTON HEAD	14
40	P720342	CABLE, CONTROL DATA	1	85	P840740	#10-32 HEX NUT	1
41	P720343	CABLE, CPU, DATA IN / OUT	1	86	P720906	DECAL, DISK DRIVE CONTROL COVER	1
42	P720344	CABLE, FILTER GROUND	1	87			1
43	P720345	CABLE, KEYBOARD, CPU	1	88	P840438	#10-32x3/8 THUMB SCREW	2
44	P720346	CABLE, POWER SUPPLY GROUND	1	89	ZP721225	BEAT IV FAN ASSEMBLY	1
45	P720347	CABLE, POWER SUPPLY, TERM. BLOCK	1	90			

ZP721700 TABLE TOP ASS'Y (PRE-TUBULAR)

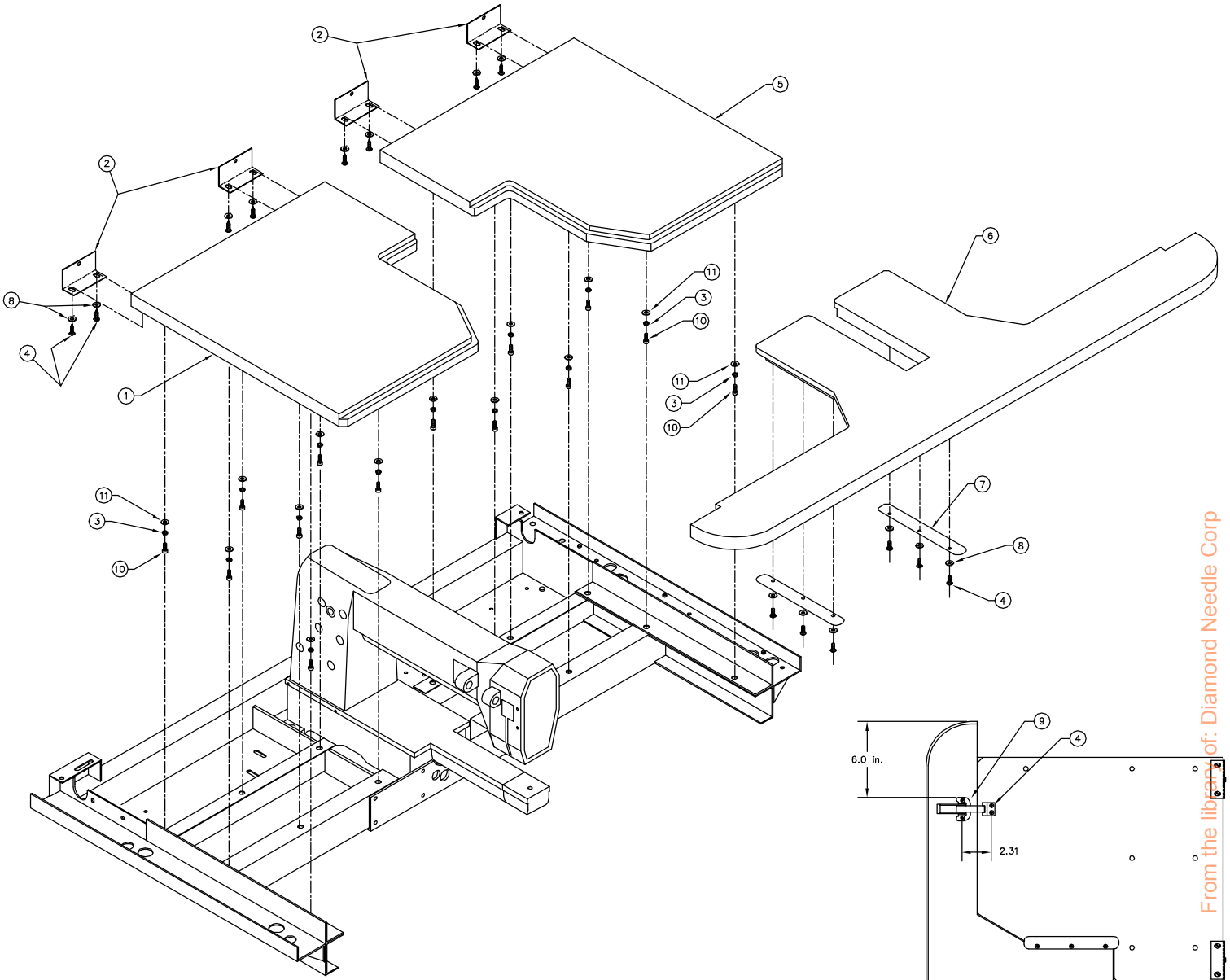
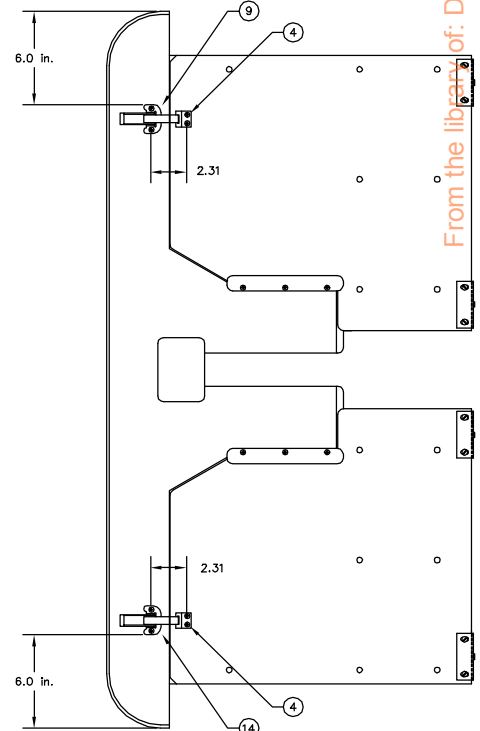
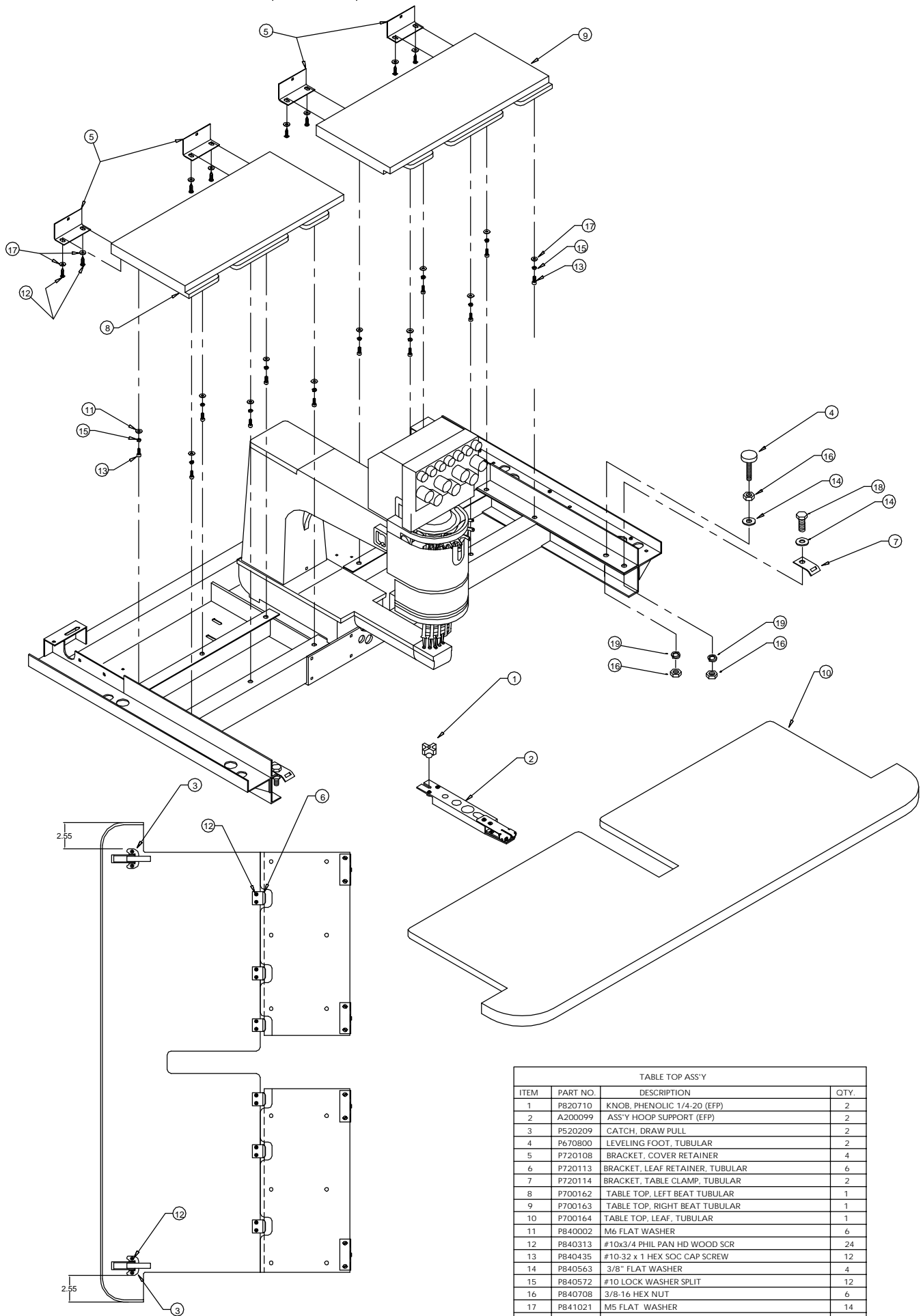


TABLE TOP ASS'Y			
ITEM	PART NO.	DESCRIPTION	QTY.
1	P700160	TABLE TOP, LEFT	1
2	P720108	BRACKET, COVER RETAINER	4
3	P840572	#10 LOCK WASHER SPLIT	14
4	P840313	#10x3/4 PHIL PAN HD WOOD SCR	22
5	P700160A	TABLE TOP, RIGHT	1
6	P700160B	TABLE TOP, LEAF	1
7	P700203	PLATE, TABLE TOP RETAINER	2
8	P840530	#10 FLAT WASHER	14
9	P520205	LEAF LATCH SET M700	2
10	P840435	#10-32 x 1 HEX SDC CAP SCREW	14
11	P840002	6mm. FLAT WASHER	8



BOTTOM VIEW OF TABLES

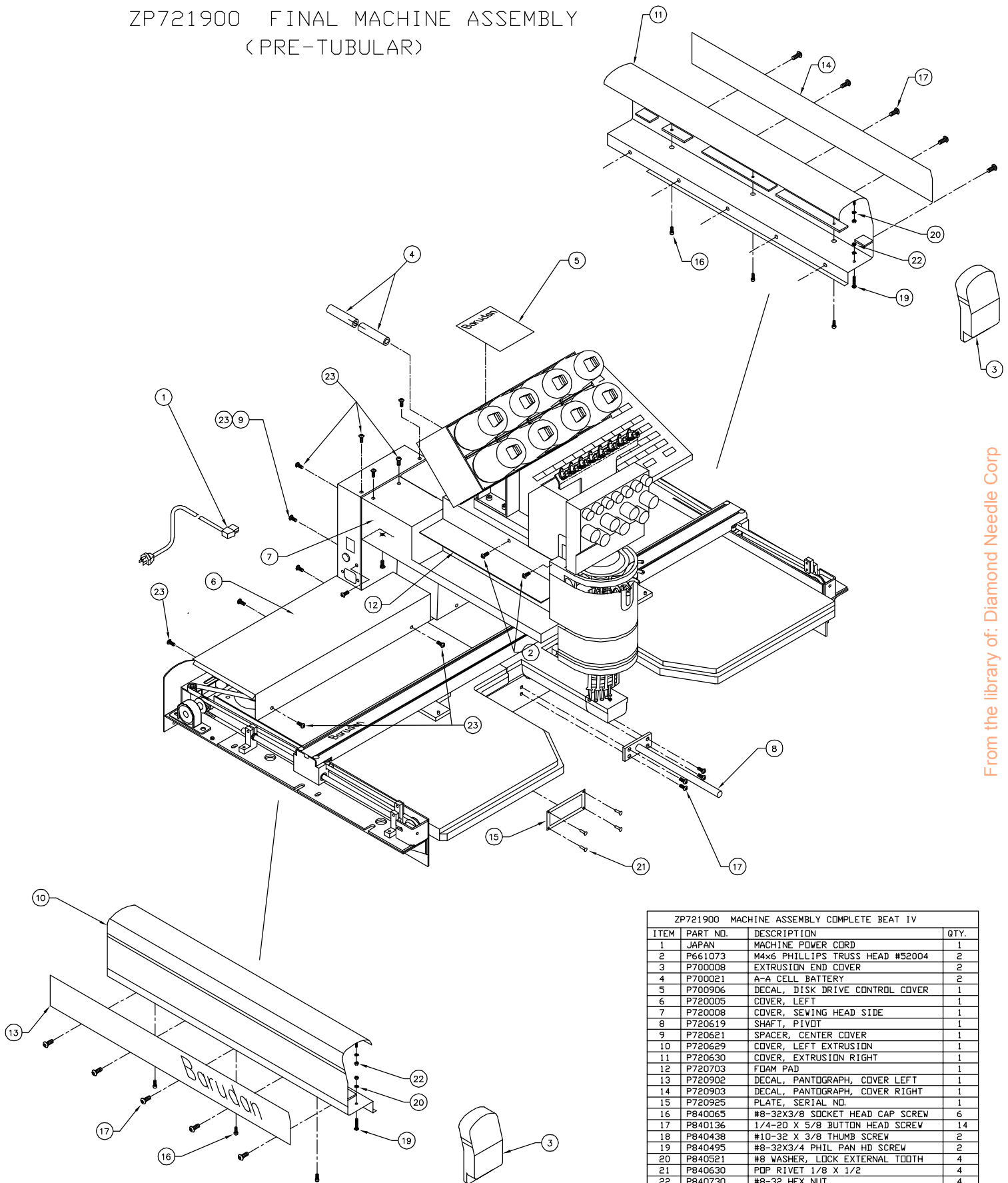
ZP721701 TABLE TOP ASS'Y (TUBULAR)



BOTTOM VIEW OF TABLES

TABLE TOP ASS'Y			
ITEM	PART NO.	DESCRIPTION	QTY.
1	P820710	KNOB, PHENOLIC 1/4-20 (EFP)	2
2	A200099	ASS'Y HOOP SUPPORT (EFP)	2
3	P520209	CATCH, DRAW PULL	2
4	P670800	LEVELING FOOT, TUBULAR	2
5	P720108	BRACKET, COVER RETAINER	4
6	P720113	BRACKET, LEAF RETAINER, TUBULAR	6
7	P720114	BRACKET, TABLE CLAMP, TUBULAR	2
8	P700162	TABLE TOP, LEFT BEAT TUBULAR	1
9	P700163	TABLE TOP, RIGHT BEAT TUBULAR	1
10	P700164	TABLE TOP, LEAF, TUBULAR	1
11	P840002	M6 FLAT WASHER	6
12	P840313	#10x3/4 PHIL PAN HD WOOD SCR	24
13	P840435	#10-32 x 1 HEX SOC CAP SCREW	12
14	P840563	3/8" FLAT WASHER	4
15	P840572	#10 LOCK WASHER SPLIT	12
16	P840708	3/8-16 HEX NUT	6
17	P841021	M5 FLAT WASHER	14
18	P840601	3/8-16 HEX HEAD BOLT	2
19	P840578	3/8 "LOCK WASHER SPLIT	4

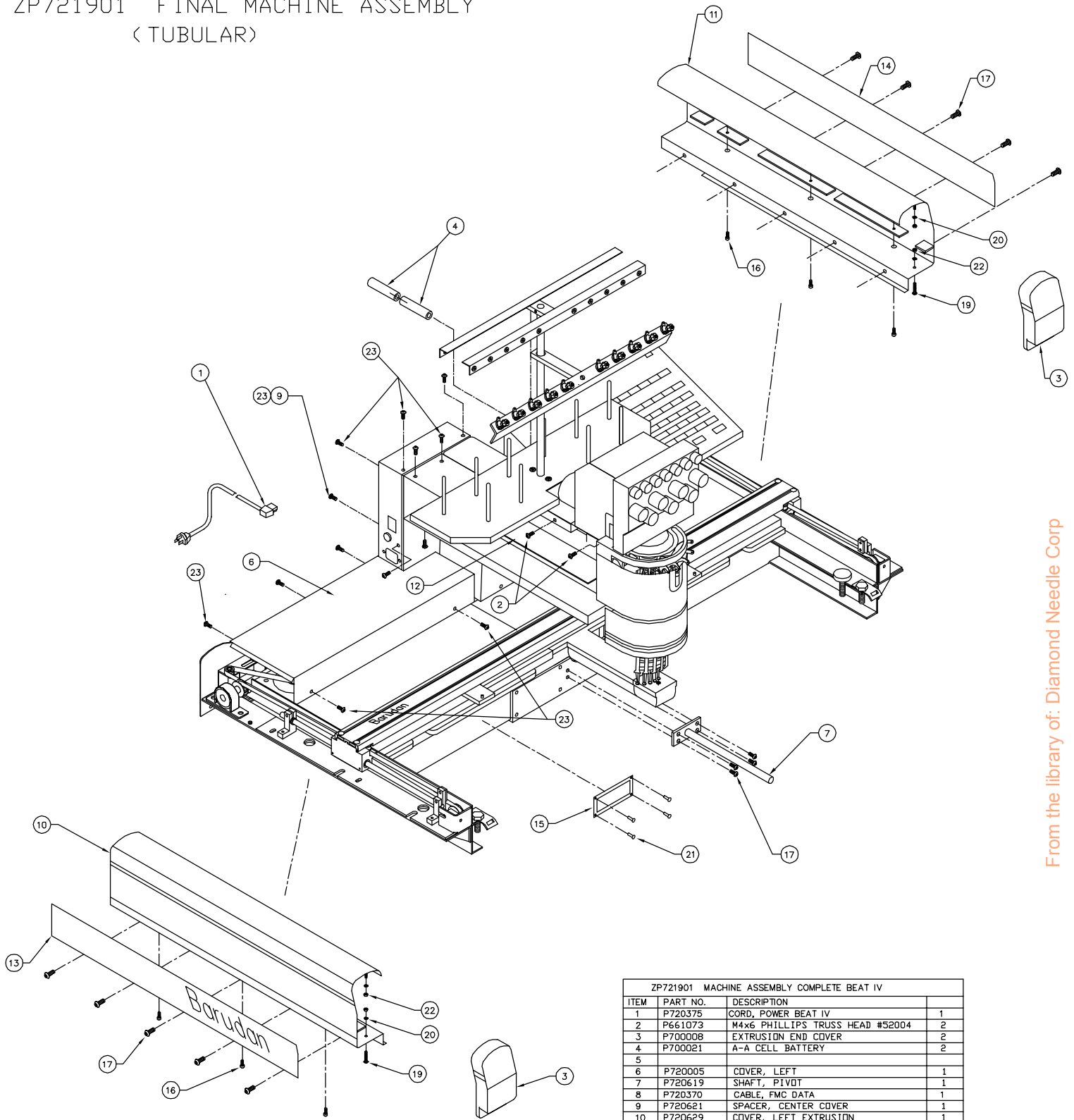
ZP721900 FINAL MACHINE ASSEMBLY (PRE-TUBULAR)



From the library of: Diamond Needle Corp

ZP721900 MACHINE ASSEMBLY COMPLETE BEAT IV			
ITEM	PART NO.	DESCRIPTION	QTY.
1	JAPAN	MACHINE POWER CORD	1
2	P661073	M4x6 PHILLIPS TRUSS HEAD #52004	2
3	P700008	EXTRUSION END COVER	2
4	P700021	A-A CELL BATTERY	2
5	P700906	DECAL, DISK DRIVE CONTROL COVER	1
6	P720005	COVER, LEFT	1
7	P720008	COVER, SEWING HEAD SIDE	1
8	P720619	SHAFT, PIVOT	1
9	P720621	SPACER, CENTER COVER	1
10	P720629	COVER, LEFT EXTRUSION	1
11	P720630	COVER, EXTRUSION RIGHT	1
12	P720703	FOAM PAD	1
13	P720902	DECAL, PANTOGRAPH, COVER LEFT	1
14	P720903	DECAL, PANTOGRAPH, COVER RIGHT	1
15	P720925	PLATE, SERIAL NO.	1
16	P840065	#8-32X3/8 SOCKET HEAD CAP SCREW	6
17	P840136	1/4-20 X 5/8 BUTTON HEAD SCREW	14
18	P840438	#10-32 X 3/8 THUMB SCREW	2
19	P840495	#8-32X3/4 PHIL PAN HD SCREW	2
20	P840521	#8 WASHER, LOCK EXTERNAL TOOTH	4
21	P840630	POP RIVET 1/8 X 1/2	4
22	P840730	#8-32 HEX NUT	4
23	P840736	#10-32 X 3/8 HEX SOC. BUTTON HD.	20
24			
25			

ZP721901 FINAL MACHINE ASSEMBLY
(TUBULAR)



ZP721901 MACHINE ASSEMBLY COMPLETE BEAT IV			
ITEM	PART NO.	DESCRIPTION	
1	P720375	CORD, POWER BEAT IV	1
2	P661073	M4x6 PHILLIPS TRUSS HEAD #52004	2
3	P700008	EXTRUSION END COVER	2
4	P700021	A-A CELL BATTERY	2
5			
6	P720005	COVER, LEFT	1
7	P720619	SHAFT, PIVOT	1
8	P720370	CABLE, FMC DATA	1
9	P720621	SPACER, CENTER COVER	1
10	P720629	COVER, LEFT EXTRUSION	1
11	P720630	COVER, EXTRUSION RIGHT	1
12	P720703	FDAM PAD	1
13	P720902	DECAL, PANTOGRAPH, COVER LEFT	1
14	P720903	DECAL, PANTOGRAPH, COVER RIGHT	1
15	P720925	PLATE, SERIAL NO.	1
16	P840065	#8-32X3/8 SOCKET HEAD CAP SCREW	6
17	P840136	1/4-20 X 5/8 BUTTON HEAD SCREW	14
18	P840438	#10-32 X 3/8 THUMB SCREW	2
19	P840495	#8-32X3/4 PHIL PAN HD SCREW	2
20	P840521	#8 WASHER, LOCK EXTERNAL TOOTH	4
21	P840630	PDP RIVET 1/8 X 1/2	4
22	P840730	#8-32 HEX NUT	4
23	P840736	#10-32 X 3/8 HEX SOC. BUTTON HD.	20
24			
25			